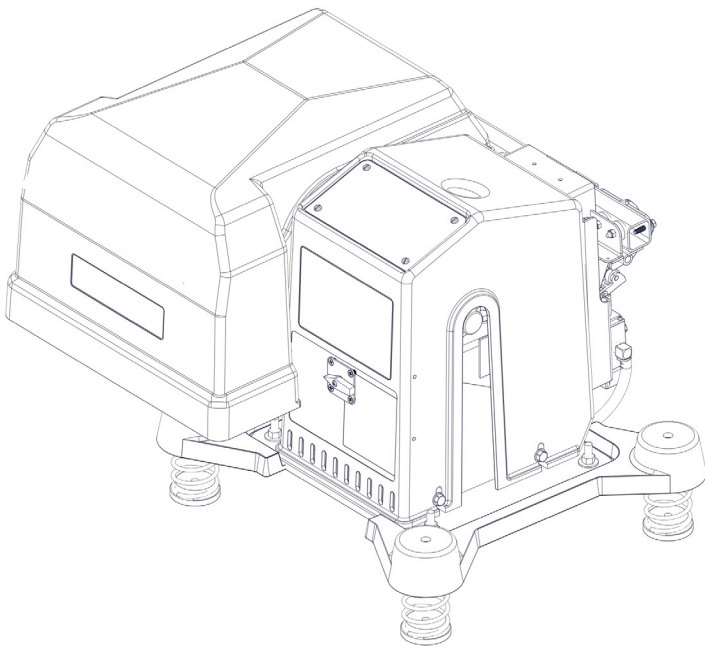


# Owner's Manual:

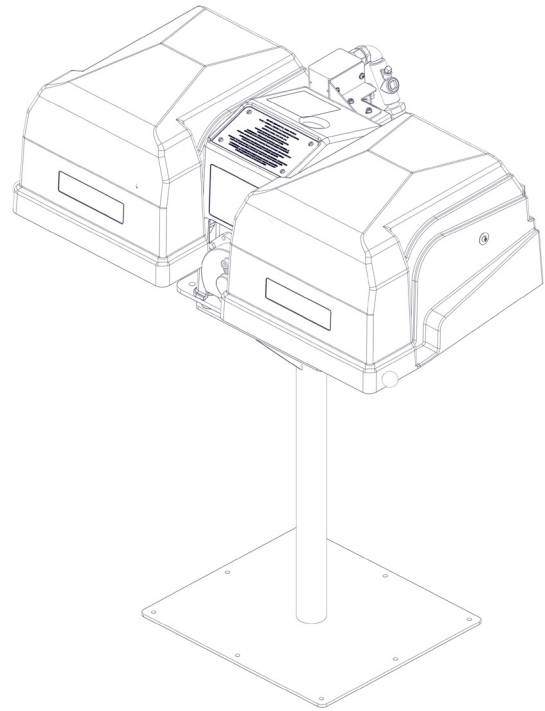
## 1400 & 1410 Air & Explosion

### One-Gallon Shaker

Models 1400-A1, 1410-A1, 1400-X1



1410-A1 on Counter Base  
(5153-00)



1400-X1 on Pedestal Base  
(5152-00)






# Table of Contents

<b>1. Safety Information</b>	<b>3</b>	<b>8. Exploded Views</b>	<b>15</b>
1.1 Safety Precaution Labels	4	8.1 Drive System 1400 - X1	15
1.2 Safety Precaution Summary	5	8.2 Transmission Assembly	16
<b>2. Introduction</b>	<b>6</b>	8.3 Drive System 1400 & 1410 - A1	17
2.1 Application	6	8.4 Air Assembly	18
2.2 Specifications	6	8.5 Clamp Assembly, Left	19
2.3 Specifications Continued	6-7	8.6 Camp Assembly, Right	20
<b>3. Assemble &amp; Test</b>	<b>8</b>	8.7 Enclosure Assembly	21
3.1 Prepare for Use	8	8.8 Clamp Cover Assembly	22
3.2 Assemble the Counter Base	8	8.9 Electrical Assembly 1400-X1	23
3.3 Assemble the Pedestal Base	8-9	8.10 Counter Base 5153-00	24
3.4 Valve Cap Removal	9	8.11 Pedestal Base 5152-00	25
3.5 Connect to Power	9	<b>9. Ordering</b>	<b>26</b>
<b>4. Operation</b>	<b>10</b>	Replacement Parts	26
4.1 Install a Pail and Mix	10	<b>10. Warranty</b>	<b>27</b>
<b>5. Care and Maintenance</b>	<b>10</b>	<b>11. Notes</b>	<b>28</b>
5.1 Cleaning	10		
5.2 Maintenance (All Models)	10		
5.3 Maintenance (1410-X1)	10		
5.4 Maintenance (Air Models)	11		
<b>6. Trouble Shooting</b>	<b>12</b>		
<b>7. Wiring Diagram</b>	<b>13</b>		
7.1 1400 - X1 Wiring Diagram	13		
7.2 Pneumatic Schematic	14		

# 1. Safety Information

**Review this owner's manual and read all warning labels on the machine prior to use.**

The three main safety notifications used in this manual and on the warning labels are **WARNING**, **CAUTION** and **NOTICE**. They have specific meanings and indicate the potential dangers from misuse of the machine.

	<p><b>“WARNING!”</b> indicates a hazardous situation, which, if not avoided, could result in death or serious injury. These serious injuries could include permanent loss of function or significant disfigurement, disability, considerable pain and suffering, amputations, severe burns, and loss or impairment of vision or hearing. Take all necessary precautions to avoid unnecessary injury.</p>
	<p><b>“CAUTION!”</b> indicates a hazardous situation, which, if not avoided, could result in minor or moderate injury.</p>
	<p><b>“NOTICE”</b> indicates practices that do not involve physical injury but may damage the machine.</p>

Safety Information, Continued..

## 1.1 Safety Precaution labels

**WARNING**

**ADVERTENCIA**

**AVERTISSEMENT**

- Machine must be properly grounded before use; improper grounding could cause electric shock and injury.
- Disconnect power cord before servicing, cleaning or removing any cover, and follow lockout/ tagout procedures in owner manual; failure to disconnect power could cause electric shock and injury.
- Review Owners Manual before installing or operating.

- La maquinaria debe ser apoyada correctamente en el suelo antes de usar, el no apoyarla puede casuar choque eléctrico y daños.
- Desconecte la energía antes de dar mantenimiento, limpiar o quitar cualquier cubierta, y siga los procedimientos de bloqueo/etiquetado del manual, Fallar en desconectar puede causar choque eléctrico y daños.
- Revise el manual del usuario antes de instalar u operar.

- La machine doit e'tre correctement mis a' la terre avant de les utiliser mise a' la terre incorrecte peut provoquer un choc e'lectrique et de blessure.
- De'branchez le cordon d'alimentation avant de proce'der a'l'entretien, le nettoyage ou le retrait des capots: suivez la proce'dure d'isolation/consignation proce'dures dans le manul de l'opre'rateur; E'chec de de'brancher la source d'alimentation peut provoquer shock and e'lectrique blesseyres.
- Re'examiner le fonctionnement manuel avant l'installation.

Part No. 1781570

**CAUTION**

AIR SUPPLY NOT TO EXCEED 150 PSI MINIMUM AIR SUPPLY REQUIREMENT IS 80 PSI

EL SUMINISTRO DE AIRE NO DEBE EXCEDER LOS 150 PSI MÍNIMO REQUISTIO DE SUMINISTRO DE AIRE ES DE 80 PSI

LA PRESSION DE L'ALIMENTATION EN AIR NE DOIT PAS DÉPASSER 1034 KPA (150LB/PO)

LA PRESSION MINIMALE DE L'ALIMENTATION EN AIR EST DE 551,6 KPA (80 LB/PO)

Part No. 1780668  
1400 & 1410-A1 only









<p><b>CAUTION</b> MOVING PARTS INSIDE</p>	<p><b>AVERTISSEMENT</b> LES PARTIES EN MOUVEMENT À L'INTERIEUR DE LA MACHINE</p>	<p><b>PRECAUCIÓN</b> PIEZAS MÓVILES ADENTRO</p>
<ul style="list-style-type: none"> <li>- Do not operate with safety guard open.</li> <li>- Do not open safety guard until machine comes to a complete stop.</li> </ul>	<ul style="list-style-type: none"> <li>- Ne pas mettre en service si le dispositif de protection est ouvert.</li> <li>- Ne pas ouvrir le dispositif de protection avant l'immobilisation complete de la machine.</li> </ul>	<ul style="list-style-type: none"> <li>- No operar con el protector de seguridad abierto.</li> <li>- No abrir el protector de seguridad hasta que la màquina este completamente parada.</li> </ul>

Part No. 1785065

Safety Information, Continued..








## 1.2 Safety Precaution Summary

### **WARNING!**

-  BE SURE that the remote power switch is installed by a qualified electrician. Refer to local codes for proper placement of the remote power switch.
-  Review this owner's manual before installing or operating.
-  The machine must be properly grounded prior to use. In the case of an electrical short circuit, grounding reduces the risk of electric shock by providing an escape wire for the electric current.
-  Check with a qualified electrician if you don't completely understand these grounding instructions, or if you are not sure whether the machine is properly grounded.
-  Follow the lockout/tagout procedures of your company.
-  DO NOT open the door until the machine comes to a complete stop.
-  Review product label, Material Safety Data Sheet, and HMIS rating of materials prior to mixing to determine potential hazards.
-  Do not use solvent-based cleaners or thinners.

 **WARNING: This product may expose you to chemicals including DEHP, which is known to the State of California to cause cancer. For more information, go to [www.P65Warnings.ca.gov](http://www.P65Warnings.ca.gov)**

### **CAUTION!**

-  Keep the work area free of clutter and electrical cords.
  -  **DO NOT** disable the limit switch. This switch interrupts power when the mixer door is opened
  -  Avoid extension cords. To minimize the risk of improper electrical grounding, extension cords are not recommended. If an extension cord is unavoidable, consult a qualified electrician to determine what type of extension cord will satisfy the grounding, current capacity, and other requirements of the particular situation.
  -  Use the proper power source. Refer to the machine data plate on the right side panel or the section 2.1, Specifications, in this manual.
  -  Keep customers away from the work area. This machine should be used only by properly trained individuals.
  -  Clamp the can carefully to ensure that it is held securely during the mixing cycle.
-  **Product safety labels should be inspected and cleaned periodically to maintain good legibility. Replace any labels that are no longer legible.**

## 2. Introduction

### 2.1 Application

Congratulations on your purchase of the Classic Shaker. This machine is designed to accommodate standard gallon, quart and pint plastic or metal cans weighing up to 18 lb. (8.2 kg).

This mixer **MUST BE USED** in conjunction with either a countertop or pedestal base, sold separately.

Understand your machine's features and proper operation to take full advantage of its capabilities.

Read this entire manual completely before operating the machine. Practice installing and removing a container before mixing for the first time.

Keep this manual for future reference.

**Always follow all safety instructions!**

### 2.2 Specifications

#### Unit Size

- **1400-A1** W 41.63 in. (105.74 cm) D 32.25 in. (75.26 cm) H 31.50 in. (80.01 cm)
- **1410-A1**, W 27.88 in. (70.81 cm) D 29.63 in. (75.26 cm) H 31.5 in. (80.01 cm)
- **1400-X1**

#### Shipping Weight:

- **1400-A1, 1400-X1,:** 192 lb. (87.1 kg)
- **1410-A1:** 152 lb. (68.9 kg)

**Electric Service:** 120 V 60 Hz (-X1)

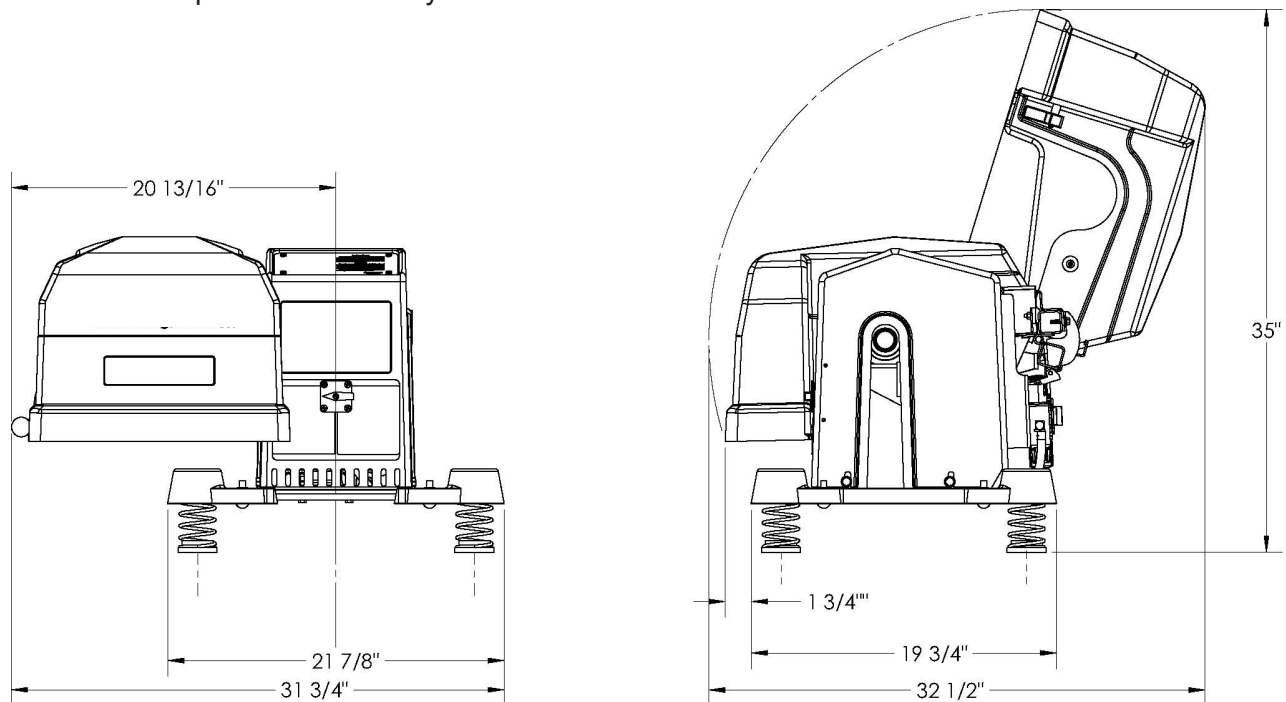
**Air Service:** 10 CFM, Min. 80 PSI, Max 150 PSI (-A1)

**Capacity:** 18 lb. (8.2 kg) per clamp

**Sizes Mixed:** 1 gal., 1 qt., 1 pt.

**1400 & 1410-A1** Mounted on either Pedestal or Counter Top bases.

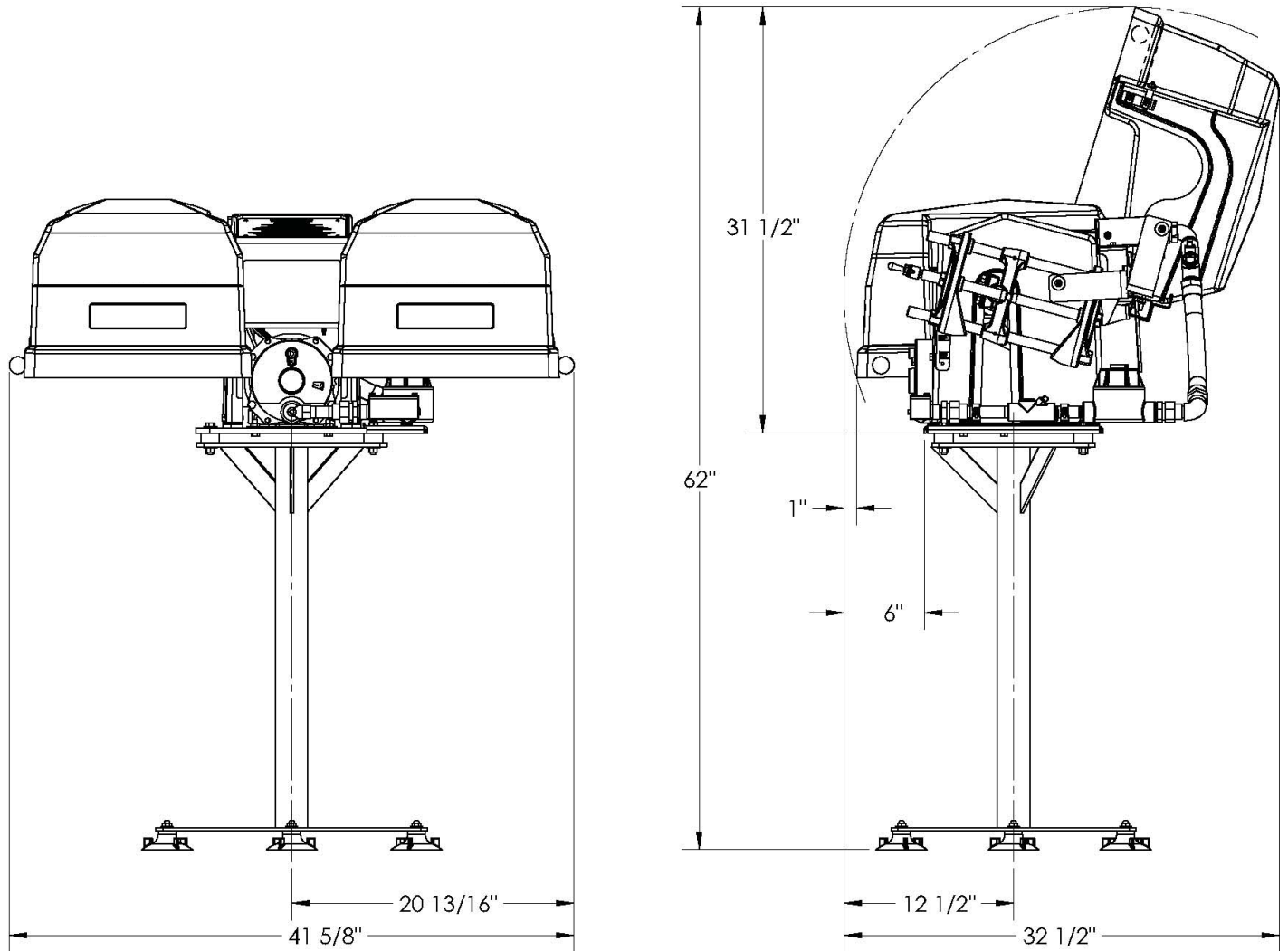
**1400-X1** Mounted on pedestal base only



### Single Gallon

**1410-A1** No Timer

## 2.2 Specifications Continued



### Twin Gallon

**1410-A1** No Timer  
1400-X1 120V / 60Hz No Timer

## 3. Assemble and Test

### 3.1 Prepare for Use

**IMPORTANT:** Before attempting to operate the machine:

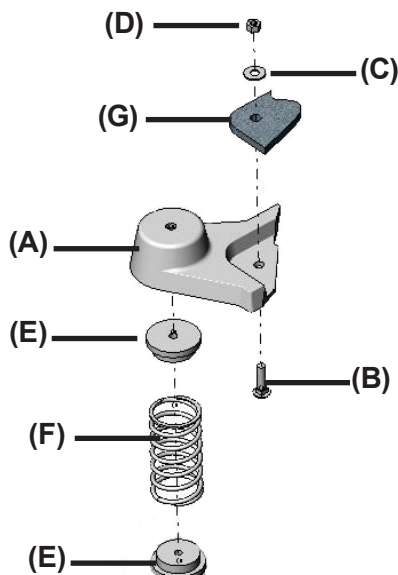
1. Remove all packing material from the unit.
2. Remove all packing material from the base.

### 3.2 Assemble the Countertop Base (See Section 8.10)

#### NOT FOR USE WITH 1400-X1

1. Attach both base castings (A) to the mixer, using the four carriage bolts (B), washers (C), and nuts (D) provided.
2. Install a rubber foot (E) into each end of the springs (F).
3. Lift one side of the mixer. Insert a spring and foot assembly into the depression in the bottom of each corner of the base (G).
4. Lift the other side of the mixer, and repeat the third step.

**NOTE:** Be sure that the machine and base are placed on a flat, stable countertop surface.



### 3.3 Assemble the Pedestal Base (See Section 8.11)

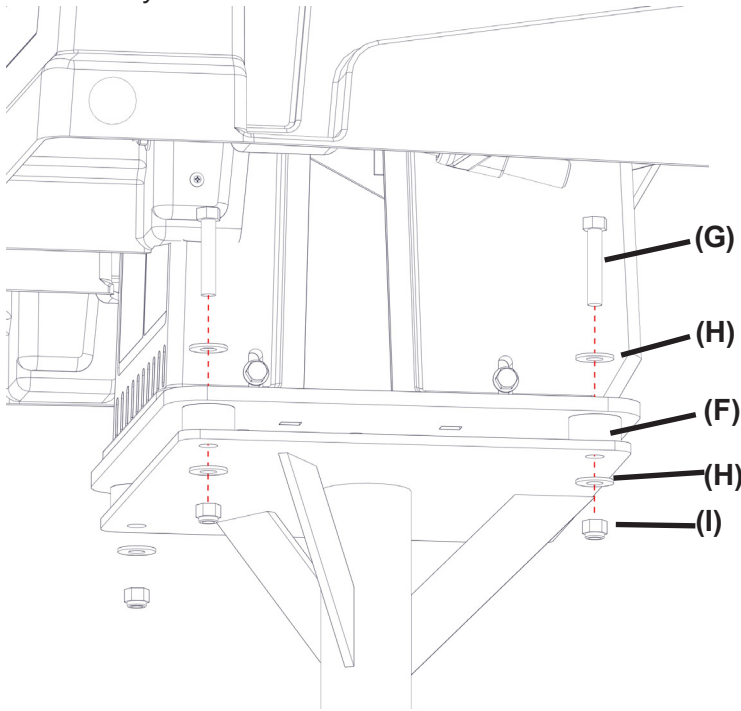
1. Wipe bottom of pedestal base with alcohol, acetone, or equivalent.
2. Sweep floor and wipe with alcohol, acetone, or equivalent.
3. Adhere VHB pads (4) to bottom of pedestal base as shown above.
4. Place pedestal base on clean floor.

**NOTE:** Moving Pedestal Base: If it becomes necessary to move the machine to a different location, release the bond between the floor and pedestal base by inserting a wall scraper between them. Contact Red Devil Equipment Co. / Radia for replacement VHB pads.

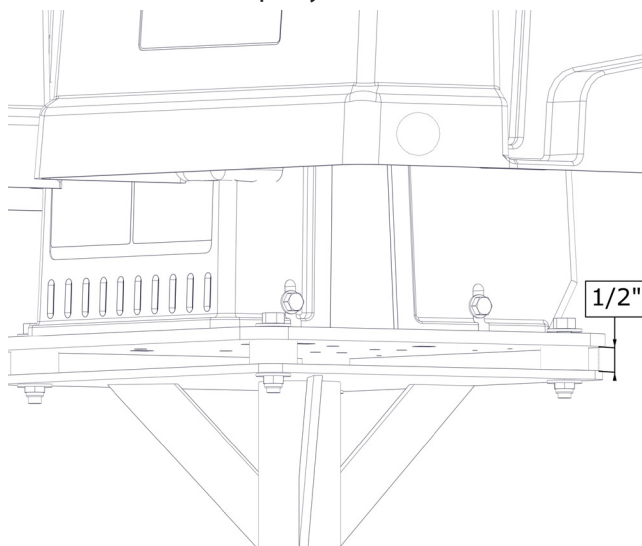
**Notice:** Failure to follow the directions laid out in this Section will cause the warranty to be void. Per Section 10: "This warranty does not cover, and Radia shall not be liable for, any malfunction, damage, or wear caused by faulty installation"



Assembly and Test, Continued..



1. Hand tighten first, then tighten the nuts one complete turn with a wrench.
2. Align the openings of the rubber bumpers **(C)** over those on the upper plate of the base.
3. Set the mixer on the upper plate of the base, on top of the rubber bumpers **(C)**.
4. Secure the mixer to the base using the four rubber bumpers, bolts **(A)**, washers **(B)**, and nuts **(E)** provided.
5. Adjust the fasteners.
  - a. Tighten all four bolts to just snug
  - b. Turn all four bolt 1 1/2 more turns.
  - c. Adjust the bolts as required to ensure the gap between the mounting base and the unit is 1/2" at all four bolts. This compresses the isolators equally.



### 3.4 Valve Cap Removal

1. Remove the Valve Cap prior to operation.



### 3.5 Connect to Power

#### 1. X1 machines

Follow the electrical instructions described in sections 1.2 & 2.2

#### 2. A1 machines

Connect a 10 CFM air supply to the inlet side of the filter regulator. The air supply must be at least 80 PSI to reliably operate the machine, and **MUST NOT EXCEED** 150 PSI.

**The Lubricator requires air tool oil. It is shipped without oil to prevent leaking during shipment. See Section 5.4.**



Lubricator

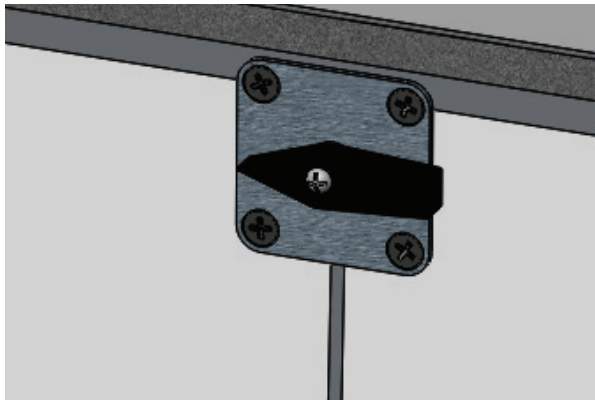
## 4. Operation

### 4.1 Install a Pail and Mix

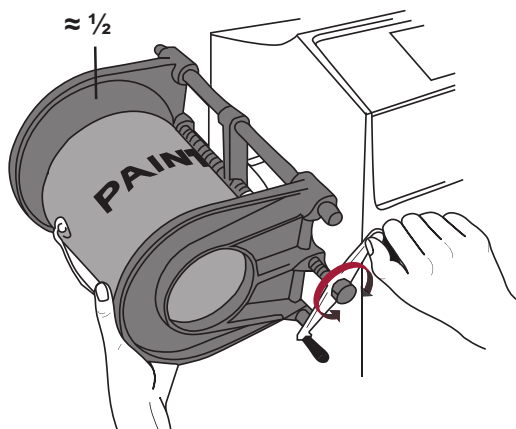
1. Turn the handle counter-clockwise to open the clamping jaws about 1/2" wider than the length of the container.
2. Insert the can and turn the handle clockwise to secure the can for mixing. Before turning on the mixer, always be sure that the container is held tightly-but don't use excessive pressure that could damage the can or clamping assembly.

**▲ Notice:** Avoid damage to the machine. Do not operate the machine without a can installed in a clamp..

3. If mixing with only one clamp on a Model 1400, install an empty can (or a piece of 2" x 4" board) in the other clamp.
4. Close the guards to activate the air switch.



5. For Air models turn the Flow Control Valve on for the desired amount of time
6. For Explosion proof models, turn the power on at the remote power switch for the desired amount of time.



## 5. Care & Maintenance

**▲ WARNING!** Avoid serious personal injury.

Always turn the power off before performing maintenance tasks.

Disconnect the air for air operated models and bleed air pressure from the mixer.

### 5.1 Cleaning

- Remove water-based/glycol colorants or base paints spilled on machine surfaces using lukewarm water and mild detergent.
- Do not use abrasives to clean machine surfaces. Doing so may damage the appearance of the machine.
- Keep the machine clean for reliable operation.

### 5.2 Maintenance (All Models)

Lubrication:

- Measure the oil level periodically. Be sure the oil level is between the two marks on the dip stick. Use a good grade SAE 10W 30 motor oil.
- Avoid using too much oil as it could cause seepage around the main shaft. The capacity of the transmission is 10 oz.
- Keep the guide rods free of dirt, dried paint, and other foreign matter.
- Remove any small nicks with a fine file.
- Whenever the guide rods feel dry, wipe a little oil over them with a rag.
- Occasionally apply a thin film of oil to the clamp screws.

### 5.3 Maintenance (1400-X1)

Belt tension (1400-X1)

- Maintain the belt tension. To adjust, loosen the two screws on the idler support bracket. Slide the idler to tighten the belt, then retighten the screws.

## 5.4 Maintenance (Air Models)

**⚠ CAUTION - ALWAYS SHUT OFF THE AIR SUPPLY LINE AND BLEED THE AIR PRESSURE FROM THE MIXER BEFORE SERVICING!**

1. Drain the filter of accumulated water as often as required.

NOTE: FAILURE TO DRAIN THE FILTER CAN RESULT IN MOTOR FAILURE. CHECK AND DRAIN THE FILTER REGULARLY.

- a. Push pin at bottom of filter bowl to drain water (Figure 1).

2. Change the air filter element (Radia part #9787499) when it becomes dirty or when the shake speed of the mixer becomes slow.

- a. Remove the bowl from the Filter Regulator (Figure 2).
- b. Twist of the disc shaped end piece and then replace the cylinder shaped filter. (Figure 3)

3. Refill the Air Lubricator

NOTE: FAILURE TO KEEP THE MIXER PROPERLY LUBRICATED CAN RESULT IN FAILURE OF THE AIR MOTOR. CHECK THE OIL LEVEL REGULARLY.

- a. Remove the lubricator bowl (Figure 2)
- b. Fill the bowl with air tool oil to ¼" to top of the bowl
- c. Reinstall the bowl to the air lubricator

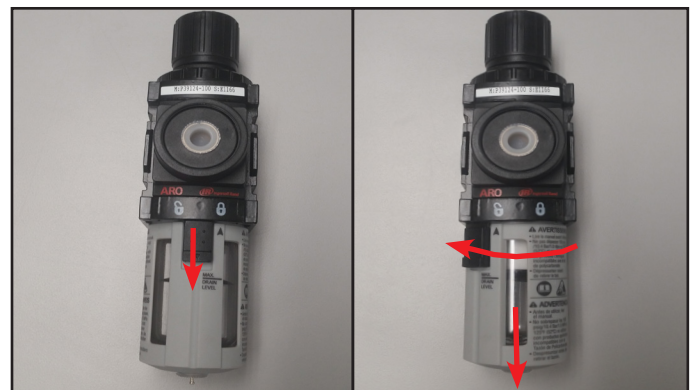
4. Adjust the drip rate of the air lubricator.

NOTE: INADEQUATE LUBRICATION CAN RESULT IN PRE-MATURE FAILURE OF THE MOTOR. OVER LUBRICATION CAN LEAD TO EXCESSIVE OIL DRIP FROM THE MUFFLER OR CLOGGING THE MOTOR.

- a. Turn the clear knob on top of the lubricator to maintain a drip rate of 1 drop every 1-2 minutes.



**Fig. 1: Draining accumulated water in air filter**



**Fig. 2: Removing the regulator or lubricator bowl**



**Fig. 3: Replacing air filter**

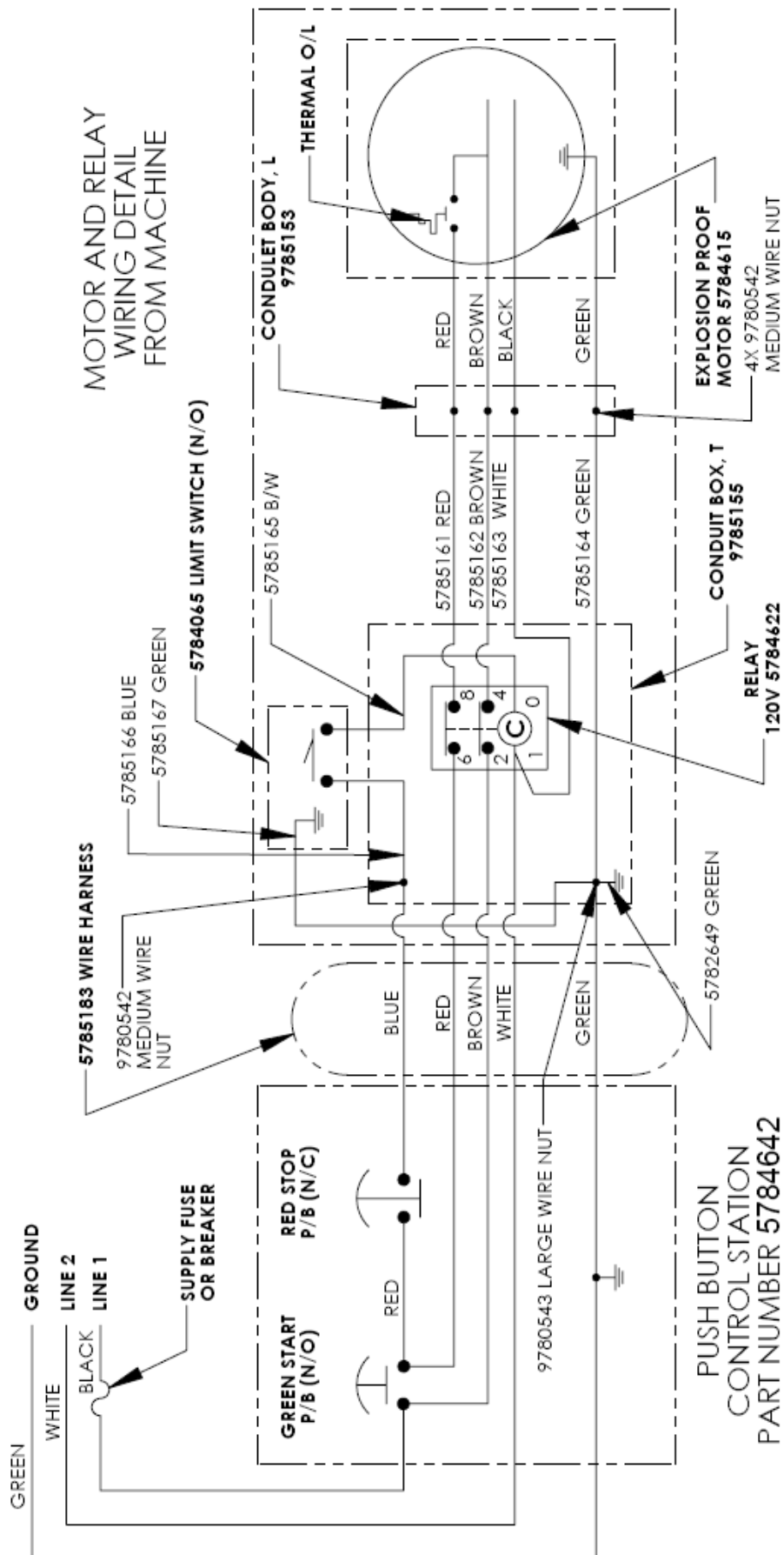
## 6. Troubleshooting

PROBLEM	CAUSE	REMEDY
Mixer will not operate	Not connected to power source	Connect to power source
	Loose or broken wire connection	Have a qualified electrician replace or repair the wire connection
	Limit switch actuator does not make contact with limit switch	Readjust switch to make contact with limit switch screw when the cover is closed
	Mixer guard is not closed completely	Remove any obstruction and close the guard properly
	Motor thermal protector activated	Allow to cool, then restart
	Faulty Remote Switch/Air Switch	Contact Red Devil Equipment Co. Customer Care
	Faulty motor	Contact Red Devil Equipment Co. Customer Care
	Air pressure low or restricted	Check air supply lines
	Air lubricator not dripping oil.	Re-fill oil reservoir, adjust drip rate, or replace o-ring.
Pail won't fit properly into clamping plates	Pail damaged	Fix or replace pail
Clamp does not hold cans securely	Clamp threads are worn	Replace the clamp assembly
Mixer does not shut off at the end of a mixing cycle	Faulty Remote Switch/Air Switch	Contact Red Devil Equipment Co. Customer Care
Mixer does not shut off when guards are lifted	Faulty Limit Switch/Air Switch	Contact Red Devil Equipment Co. Customer Care
Mixer walking	Machine is not on a Red Devil Equipment Co. approved base	Contact Red Devil Equipment Co. Customer Care to order a base
	Floor is not smooth	Anchor base to the floor, see section 3.5
Excessive noise	Loose nuts on the mounting base.	Tighten the nuts.
	Guards are loose	Tighten the nuts.
	Clamp plate loose	Contact Red Devil Equipment Co. Customer Care
	Worn transmission bearings	Replace transmission assembly
Mixer starts slowly or runs slowly	Loose drive belt	Tighten or replace drive belt
	Air pressure low or restricted	Check air supply lines.
	Air lubricator not dripping oil	Re-fill oil reservoir, adjust drip rate, replace o-ring.
	Dirty or clogged air filter	Replace air filter

## 7. Wiring

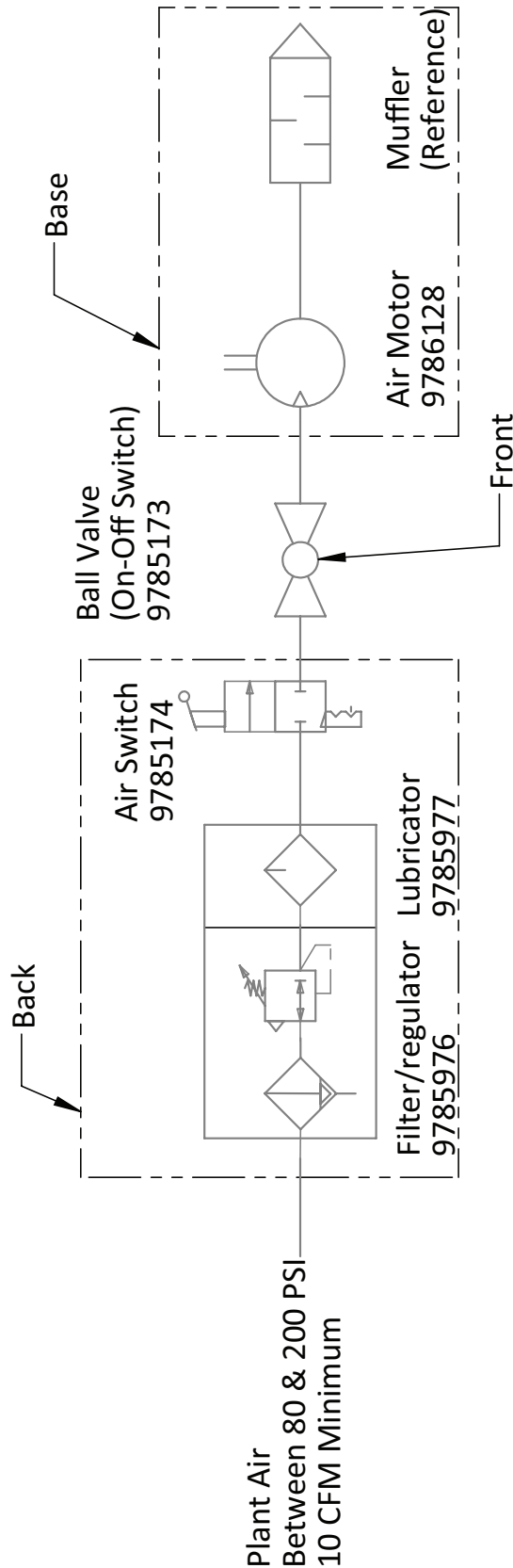
### 7.1 1400-X1

## Diagrams



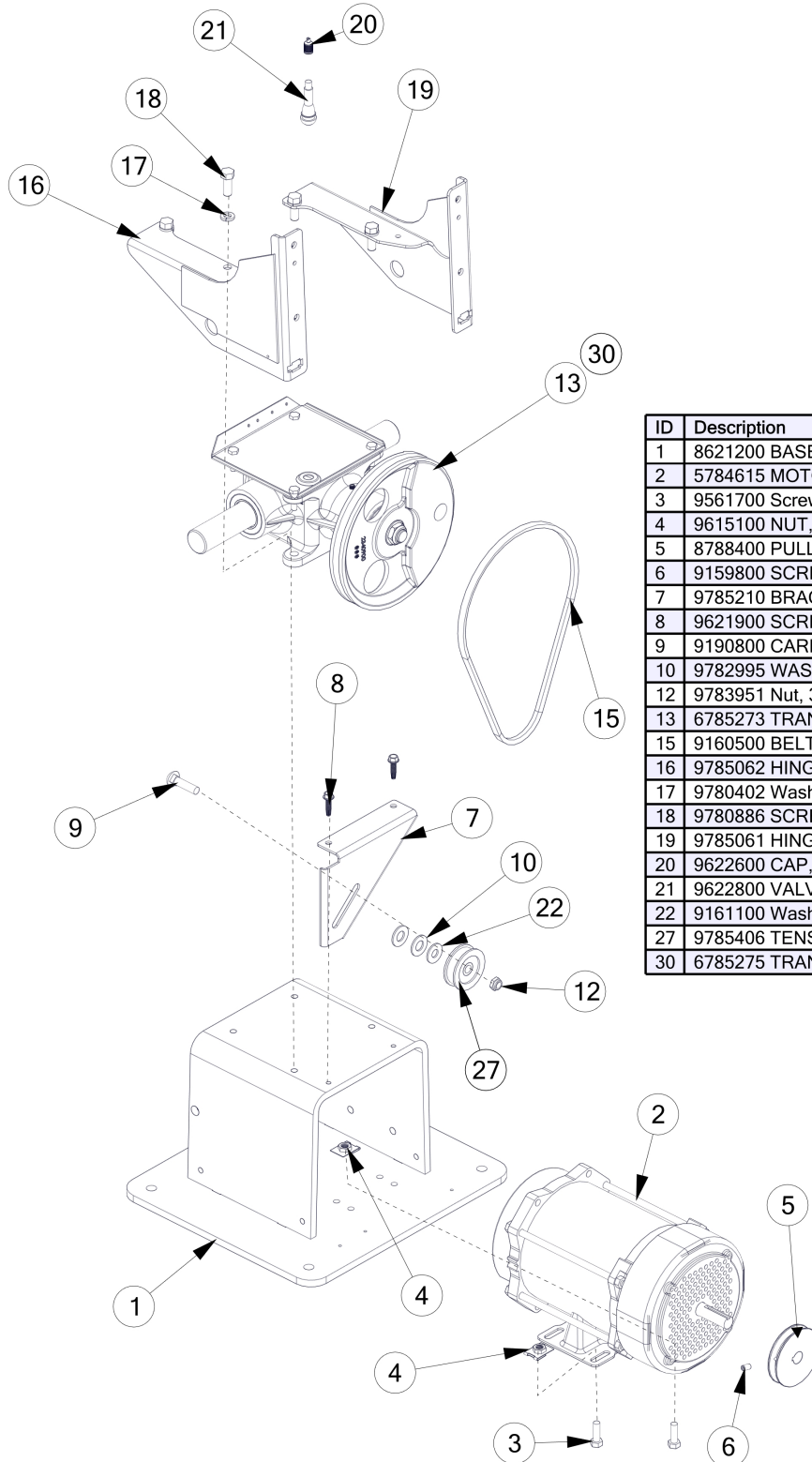
...Wiring Diagrams, Continued

## 7.3 1400 & 1410-A1 Pneumatic Schematic



## 8. Exploded Views

### 8.1 Drive System 1400-X1



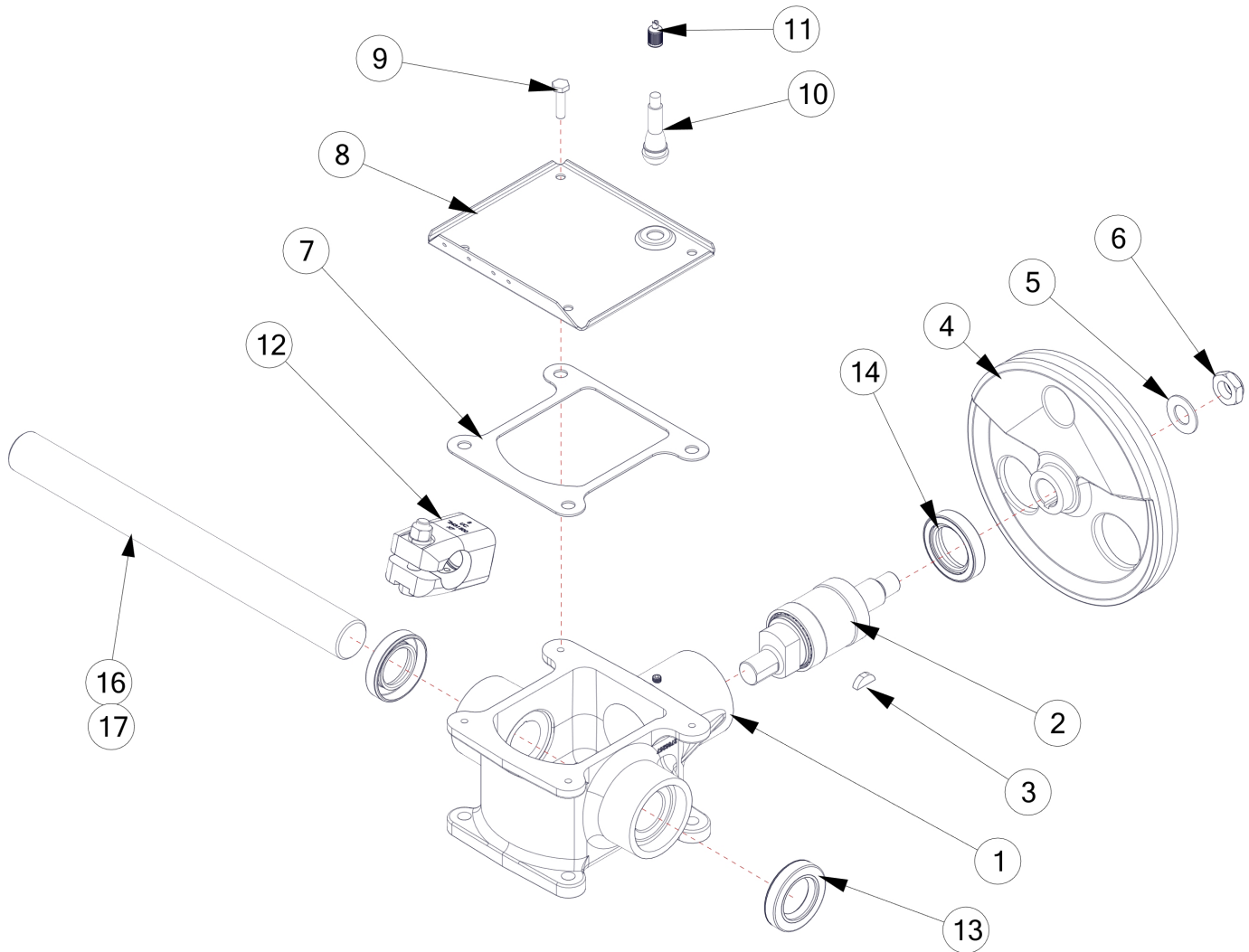
ID	Description
1	8621200 BASE WELDMENT, 54XX
2	5784615 MOTOR .3HP EXP PROOF
3	9561700 Screw Hex 5_16 X 1
4	9615100 NUT, RETAINING, J-TYPE 5/16-18
5	8788400 PULLEY, EXP PROOF, 60Hz MTR - 54XX
6	9159800 SCREW, SET, 1/4-20 X .50, CUP PT
7	9785210 BRACKET, IDLER - 1400-X1
8	9621900 SCREW, HEX WASHER HD, 1/4-20 x 1.00 TC TYPE F
9	9190800 CARRIAGE BOLT 3_8-16 X 1.50
10	9782995 WASHER, FLAT, 1_2 X 1.06 OD
12	9783951 Nut, 3_8-16 Jam Nylon Lock
13	6785273 TRANSMISSION KIT 1400
15	9160500 BELT, V
16	9785062 HINGE BRACKET, TRANS RIGHT - 14XX
17	9780402 Washer 3_8 split lock
18	9780886 SCREW HEX 3_8-16 X 1.00
19	9785061 HINGE BRACKET, TRANS LEFT - 14XX
20	9622600 CAP, SCHRADER VALVE, NYLON - 54XX
21	9622800 VALVE, TIRE
22	9161100 Washer, Flat 3_8 USS
27	9785406 TENSIONER, PULLEY
30	6785275 TRANSMISSION KIT 1410 *

**PART NUMBERS LISTED MAY ONLY BE AVAILABLE IN KIT FORM OR AS AN ASSEMBLY**

Exploded Views, Continued..

...Exploded Views, Continued

## 8.2 Transmission Assembly



\* 1410 MODELS

ID	Description
1	9786258 MACHINING, BEARING HOUSING - 14XX
2	6808900 ASSY, CRANKSHAFT - 54XX
3	9124700 KEY, WOODRUFF, NO. 606
4	9694000 PULLEY, COUNTERWEIGHT - 54XX
5	9690300 WASHER, COPPER, FLAT
6	9694100 NUT, NYLON LOCK, THIN, 0.625-18
7	9430300 GASKET, BEARING HOUSING - 54XX
8	9668300 COVER, BEARING HOUSING - 54XX
9	9788039 Screw, Hex 1_4 X 1 GR8 ZP Patch

ID	Description
10	9622800 VALVE, TIRE
11	9622600 CAP, SCHRADER VALVE, NYLON - 54XX
12	6803200 BLOCK, UNIVERSAL ASSY - 14XX
13	9157400 SEAL, OIL, AGITATOR SHAFT
14	9359200 SEAL, OIL, CRANKSHAFT
16	9341700 SHAFT, AGITATOR, DUAL - 5400
17	9339600 Shaft, Agitator, Single

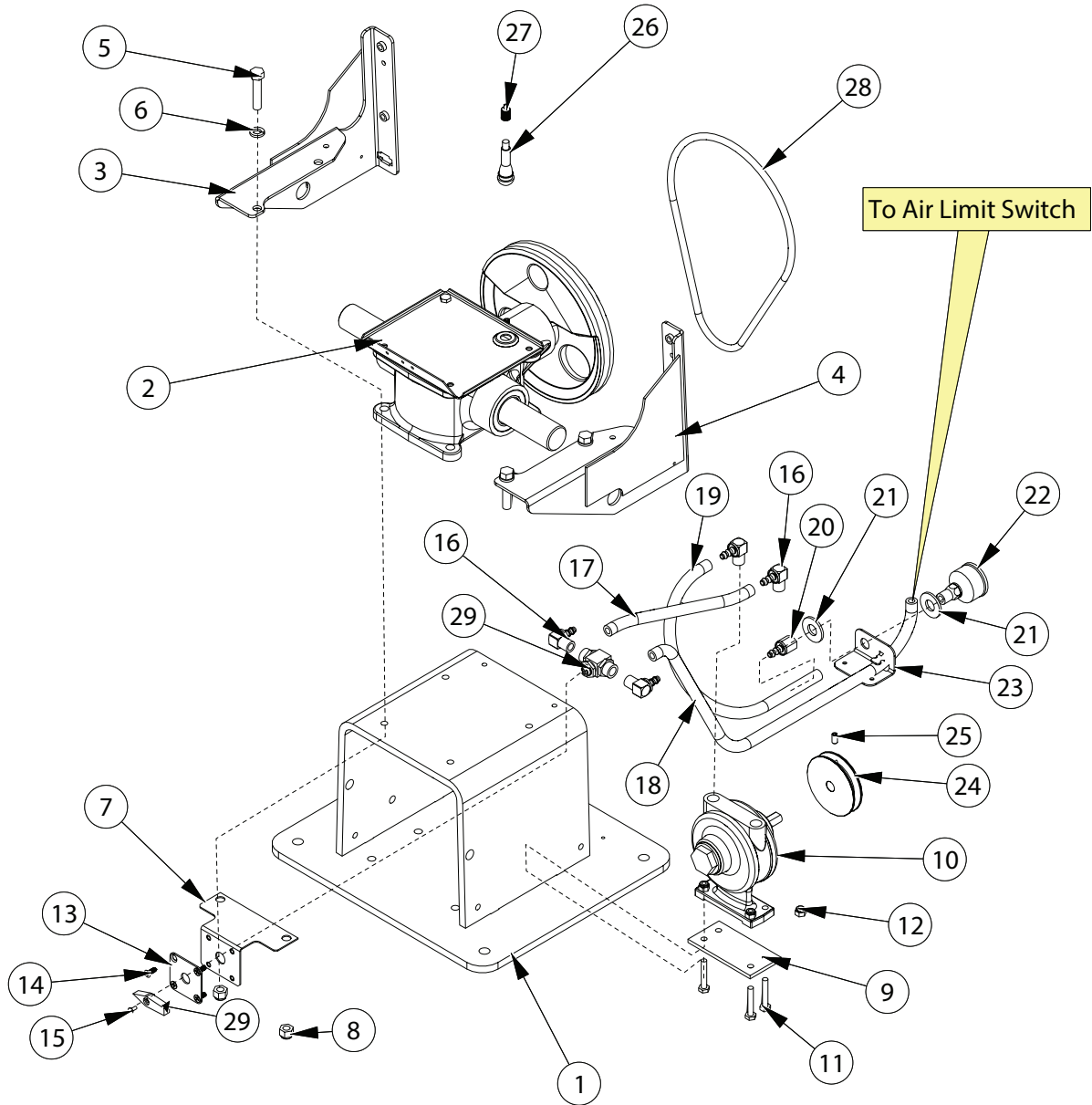
**PART NUMBERS LISTED MAY ONLY BE AVAILABLE IN KIT FORM OR AS AN ASSEMBLY**

Exploded Views, Continued..



...Exploded Views, Continued

### 8.3 Drive System 1400 & 1410-A1



ID	Description
1	8621200 BASE WELDMENT, 54XX
2	6785060 TRANSMISSION ASSEMBLY - 1400
3	9785061 HINGE BRACKET, TRANS LEFT - 14XX
4	9785062 HINGE BRACKET, TRANS RIGHT - 14XX
5	9785092 Screw Hex 3_8-16 X 1.75 FULL THD
6	9780402 Washer 3_8 split lock
7	9785123 MOUNT, VALVE - 14XX-A1
8	9780193 NUT, NYLOCK 3_8-16
9	9780725 PLATE, MOTOR MOUNT - 14XX-A1
10	9786128 MOTOR, AIR, CCV
11	9780353 Screw Hex 1_4 X 1 1_2
12	9780343 Nut 1_4-20 Nylon Lock
13	9785172 PLATE, VALVE - 14XX-A1
14	9785190 SCREW, FLAT HD, PH #10-32 x .50 BLK OXIDE
15	9759820 Screw, Ph Pan Hd 6-32 X .375

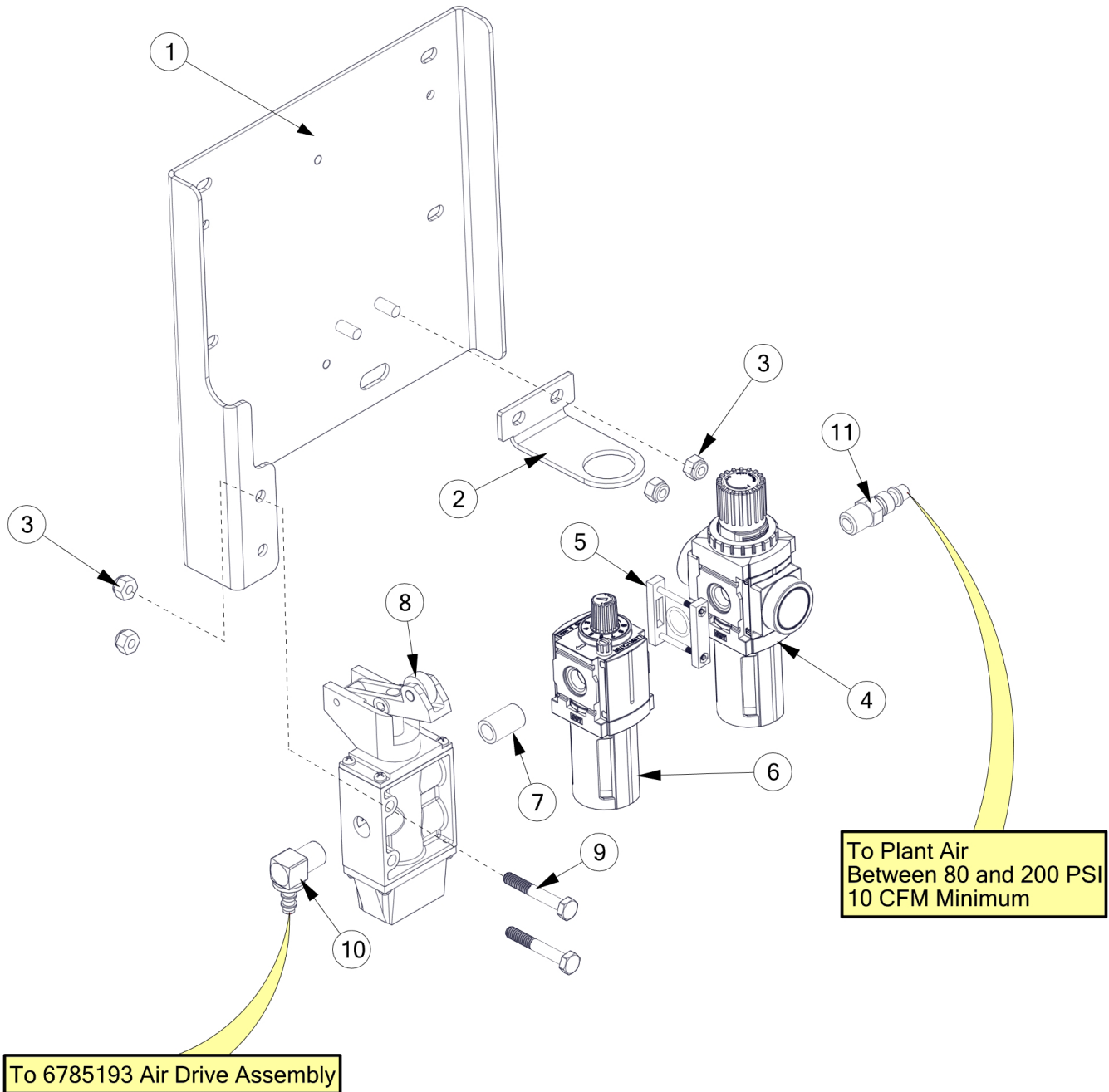
ID	Description
16	9780732 ELBOW, HOSE, .25 MNPT X .25 BARB
17	9786121 HOSE, AIR, VALVE TO MOTOR - 14XX-A1
18	9785178 HOSE, AIR, PREP TO VALVE - 14XX-A1
19	9785180 HOSE, AIR, MOTOR TO MUFFLER - 14XX-A1
20	9780567 BARB, HOSE, .25 FNPT X .25 BARB
21	9688200 Washer 1_2
22	MUFFLER, AIR MOTOR
23	9785177 BRACKET, MUFFLER - 14XX-A1
24	9619000 PULLEY, STD, 60Hz MTR - 54XX
25	9159800 SCREW, SET, ...-20 X .50, CUP PT
26	9622800 VALVE, TIRE
27	9622600 CAP, SCHRADER VALVE, NYLON - 54XX
28	9592800 BELT, ROUND
29	9785173 VALVE, BALL, PANEL

**PART NUMBERS LISTED MAY ONLY BE AVAILABLE IN KIT FORM OR AS AN ASSEMBLY**

Exploded Views, Continued..

...Exploded Views, Continued

### 8.4 Air Assembly



ID	Description
1	9785175 BRACKET, AIR PREP - 14XX-A1
2	9785978 MOUNT, FILTER REGULATOR - 14XX-A1
3	9780343 Nut 1_4-20 Nylon Lock
4	9785976 FILTER REGULATOR, AIR - 14XX-A1
5	9785980 CLAMP_SPACER KIT - 14XX-A1
6	9785977 LUBRICATOR, AIR - 14XX-A1

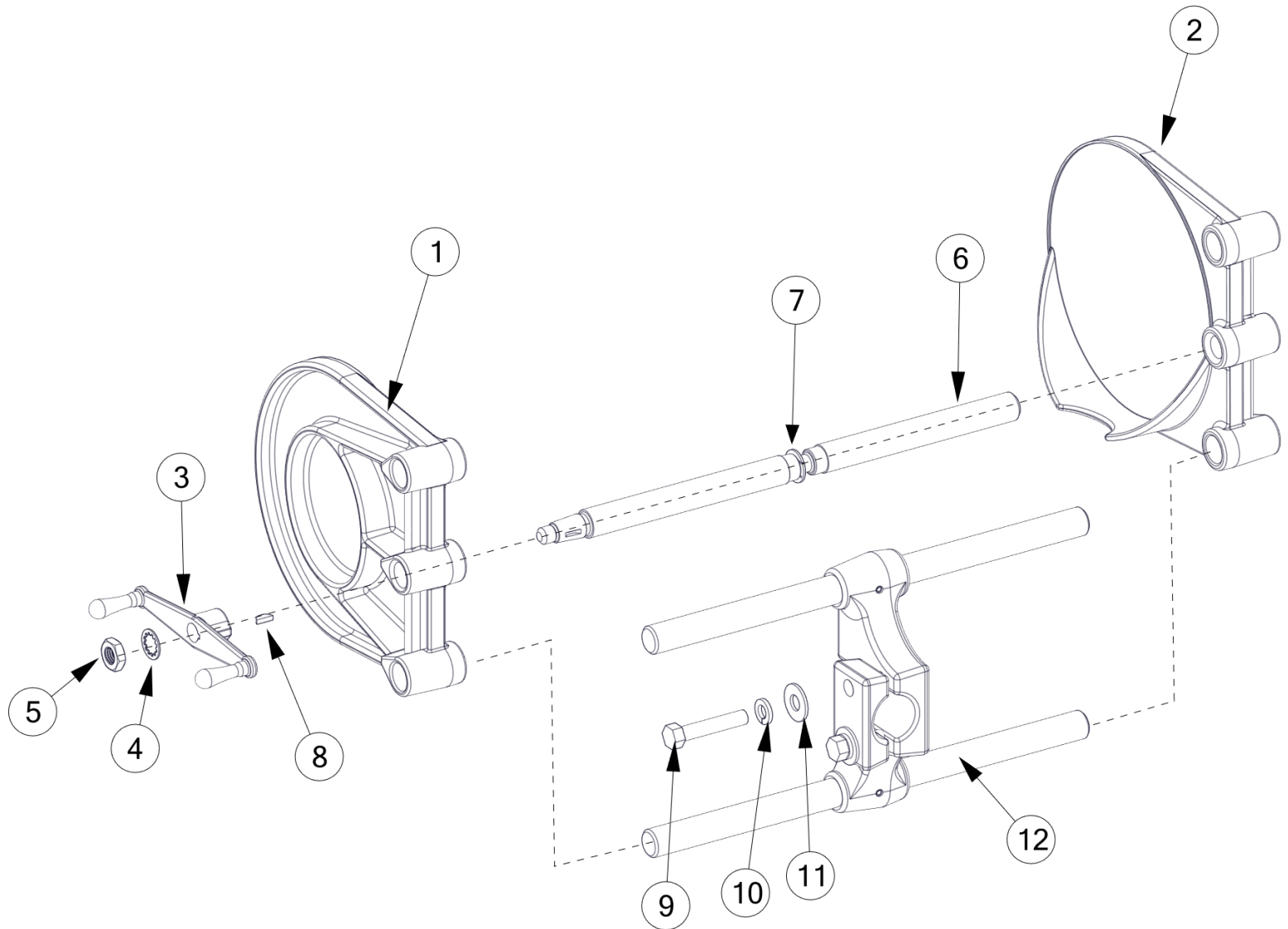
ID	Description
7	9780565 NIPPLE, .25 X CLOSE, BRASS
8	9785174 LIMIT SWITCH, AIR, LEVER - 14XX-A1
9	9781620 SCREW, HEX HD 1/4-20X13/4 GR5 ZINC
10	9780732 ELBOW, HOSE, .25 MNPT X .25 BARB
11	9780568 CONNECTOR, AIR, .25 MPT X .25 AIR

**PART NUMBERS LISTED MAY ONLY BE AVAILABLE IN KIT FORM OR AS AN ASSEMBLY**

Exploded Views, Continued..

...Exploded Views, Continued

## 8.5 Clamp Assembly, Left



ID	Description
1	9784822 CLAMP JAW, LEFT FRONT - 54XX
2	9784821 CLAMP JAW, LEFT REAR - 54XX
3	9188100 HANDLE, CLAMP, 5400
4	9143900 Washer, Internal Tooth Lock - 7_16
5	9138100 Nut, Hex Jam - 7_16-20
6	9784830 CLAMP SCREW - 14XX
7	9782216 Thrust Washer

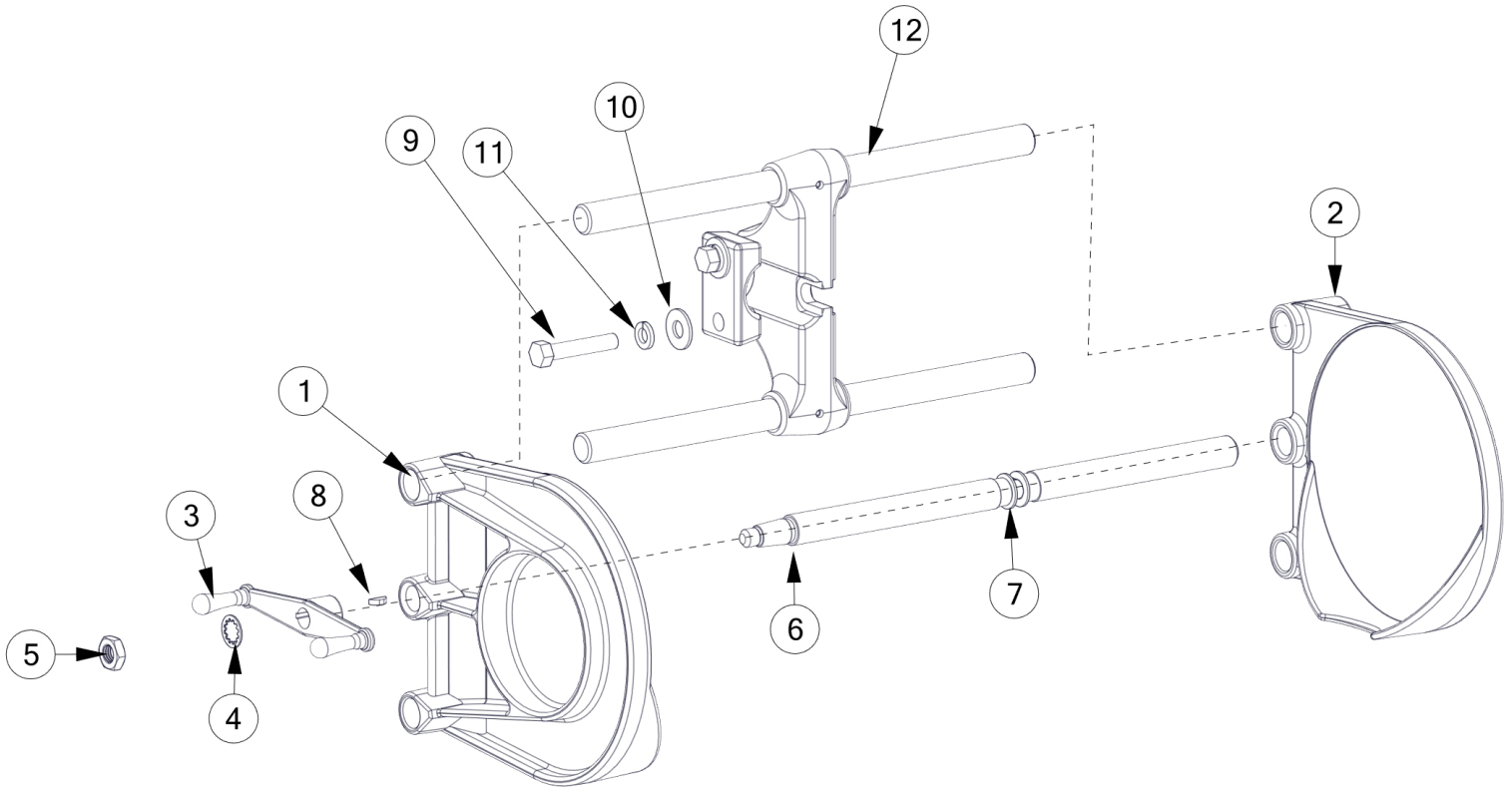
ID	Description
8	9140200 Key, Woodruff No 404
9	9690800 SCREW, HEX 3_8-16 X 2.00
10	9780402 Washer 3_8 split lock
11	9161100 Washer, Flat 3_8 USS
12	6784823 ASSY, GUIDE ROD, HD - 14XX

**THIS IS AVAILABLE AS THE 6785100 LEFT SIDE ASSEMBLY KIT**

Exploded Views, Continued..

...Exploded Views, Continued

## 8.6 Clamp Assembly Right



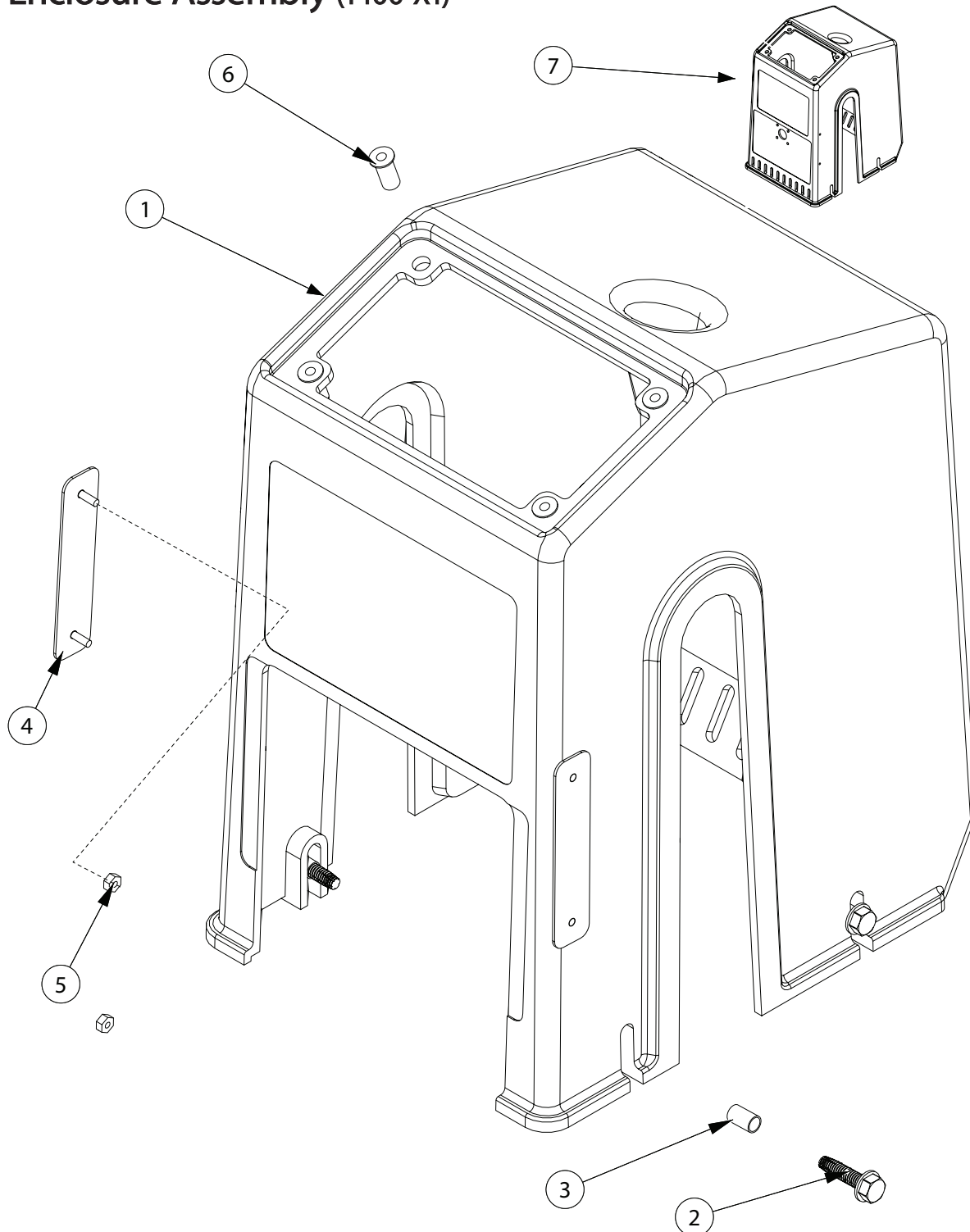
ID	Description
1	9784820 CLAMP JAW, RIGHT FRONT - 54XX
2	9784819 CLAMP JAW, RIGHT REAR - 54XX
3	9188100 HANDLE, CLAMP, 5400
4	9143900 Washer, Internal Tooth Lock - 7_16
5	9138100 Nut, Hex jam - 7_16-20
6	9784830 CLAMP SCREW - 14XX
7	9782216 Thrust Washer

ID	Description
8	9140200 Key, Woodruff No 404
9	9690800 SCREW, HEX 3_8-16 X 2.00
10	9161100 Washer, Flat 3_8 USS
11	9780402 Washer 3_8 split lock
12	6784823 ASSY, GUIDE ROD, HD - 14XX

**THIS IS AVAILABLE AS THE 6785101 RIGHT SIDE ASSEMBLY KIT**

...Exploded Views, Continued

### 8.7 Enclosure Assembly (1400-X1)



ID	Description
1	9785042 Enclosure, Explosion Proof - 14XX
2	9785592 SCREW, TYPE F 5_16-18 X 1.25
3	9781672 BUSHING - 1400
4	9785073 STRIKE PLATE, CLAMP COVER - 14XX

ID	Description
5	9781840 Nut, Keps #8-32
6	9781812 WELL NUT, #10-32
7	9785041 Enclosure, Air *

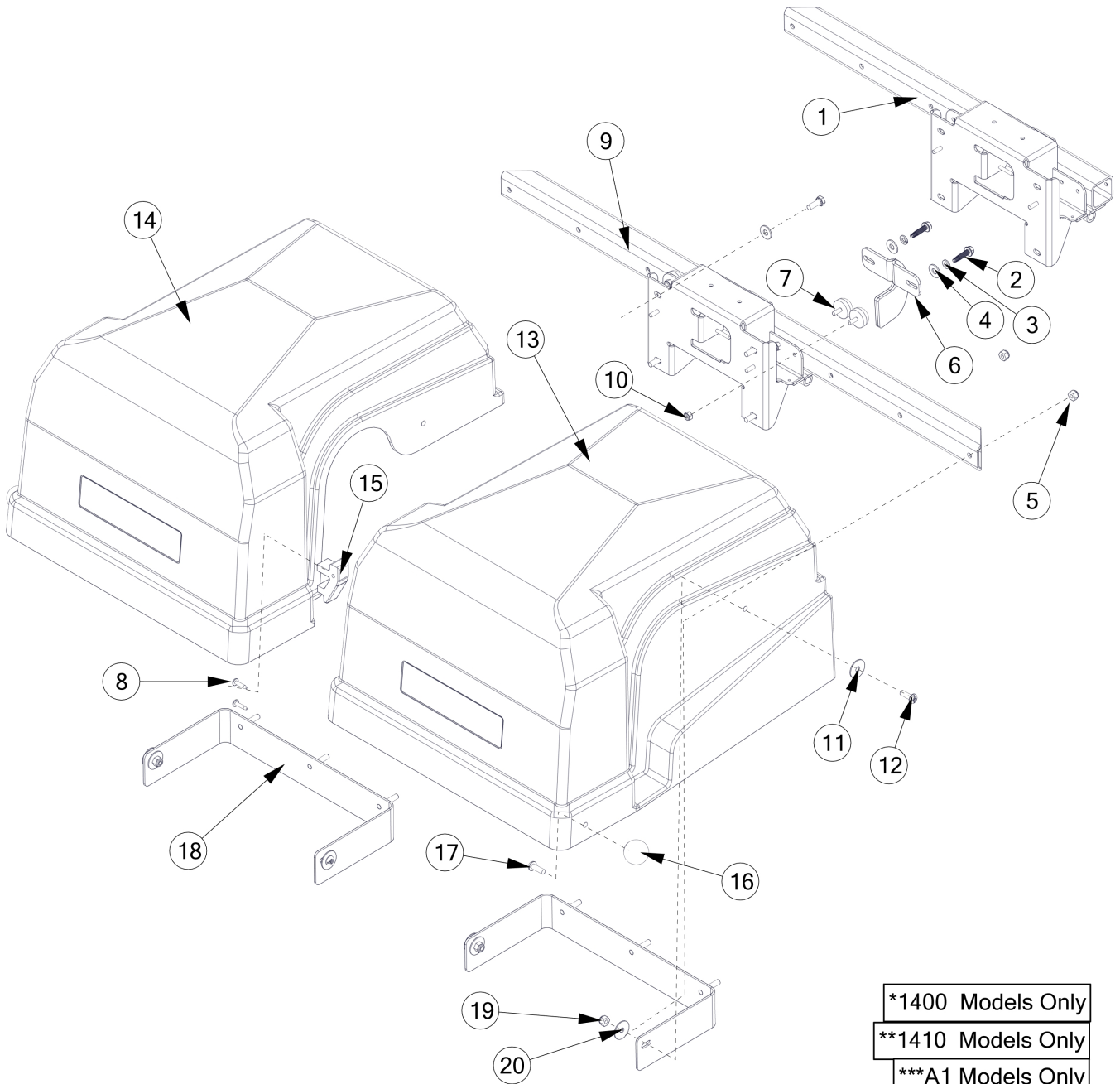
\* 14XX-A1 Models

**PART NUMBERS LISTED MAY ONLY BE AVAILABLE IN KIT FORM OR AS AN ASSEMBLY**

Exploded Views, Continued..

...Exploded Views, Continued

### 8.5 Clamp Cover Assembly (1400-X1 & A1)



\*1400 Models Only  
 \*\*1410 Models Only  
 \*\*\*A1 Models Only

ID	Description
1	9785074 HINGE TUBE WELDMENT - 1410**
2	9621900 SCREW, HEX WASHER HD, ¼-20 X 1.00 TC TYPE F***
3	9780164 Washer 1_4 LOCK***
4	9781823 Washer, Flat 1_4 USS***
5	9780343 Nut 1_4-20 Nylon Lock
6	9785176 ACTUATOR LIMIT SWITCH - 14XX A1***
7	9784048 Bumper, Threaded Rubber
8	9785059 Screw, Truss Hd Sheet Metal #8 X .75
9	9785063 HINGE TUBE WELMENT - 1400*
10	9782004 Nut #10-24 Nylon Lock
11	9781414 Washer Fender 1_4

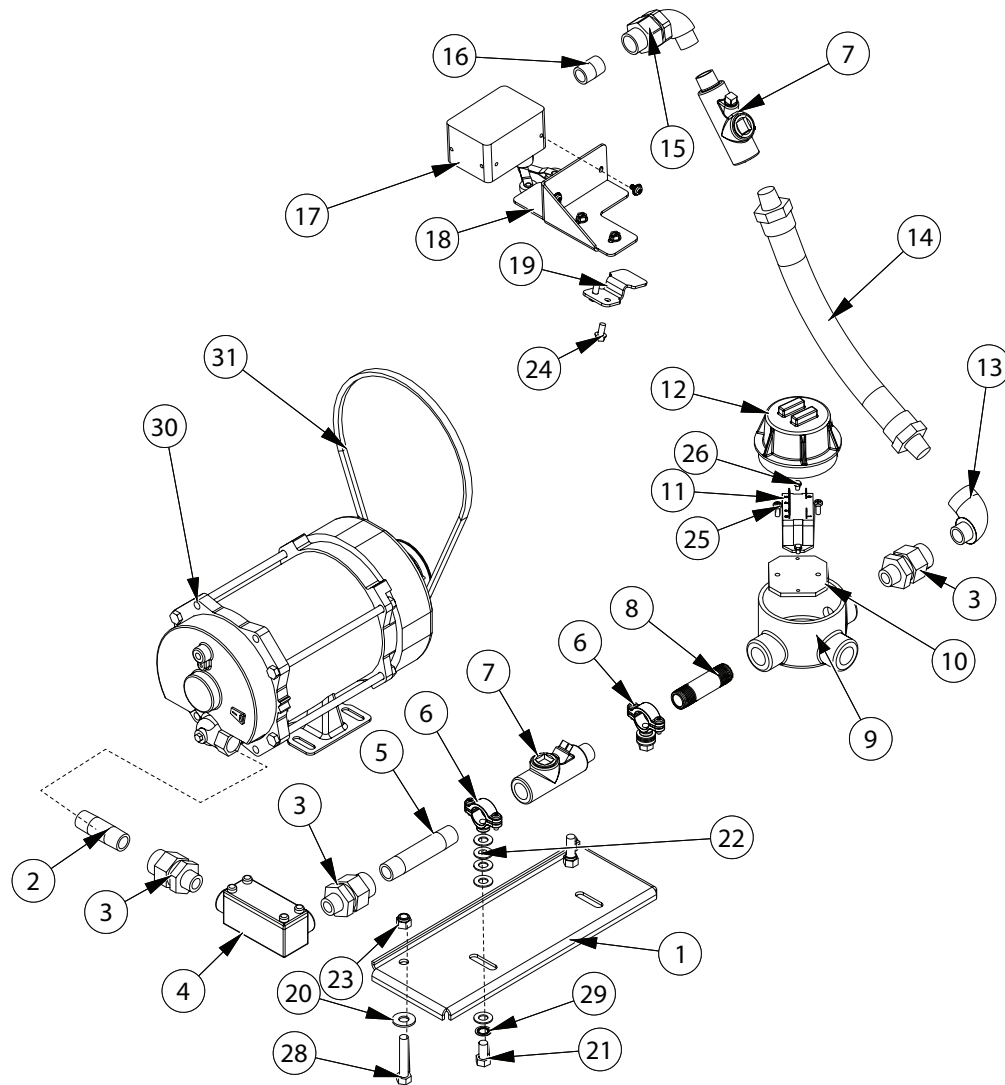
ID	Description
12	9780827 Screw, Truss Head, 1_4-20 X 3_4
13	9785003 CLAMP COVER, RIGHT
14	9785002 CLAMP COVER, LEFT
15	9785067 TENSION BLOCK, CLAMP COVER - 14XX
16	9785066 HANDLE, RED BALL - 14XX
17	9780827 Screw, Truss Head, 1_4-20 X 3_4
18	9785068 STUD PLATE, CLAMP COVER - 14XX
19	9780343 Nut 1_4-20 Nylon Lock
20	9781414 Washer Fender 1_4

**PART NUMBERS LISTED MAY ONLY BE AVAILABLE IN KIT FORM OR AS AN ASSEMBLY**

Exploded Views, Continued..

...Exploded Views, Continued

### 8.9 Electrical Assembly (1400-X1)



ID	Description
1	9785160 MOUNT, CONDUIT CLAMP - 1400-X1
2	9784069 NIPPLE, 1_2 NPT X 2.50
3	9782429 union, .5 npt
4	9785153 CONDUIT BODY, L - .50 NPT
5	9784985 NIPPLE, 1_2 NPT X 4.00
6	9785168 CLAMP, PIPE - .50 NPT
7	9784989 fitting, sealing, .50npt
8	9785154 NIPPLE, .50NPT X 3.00
9	9785155 CONDUIT BOX, T - .50 NPT
10	9784618 BRACKET RELAY MOUNT
11	5784622 RELAY CUBE 2-POLE 120V
12	9784617 COVER, DEEP, CODUIT BOX
13	9784702 ELBOW, 90°, .5NPT, M-F
14	9785156 CONDUIT, FLEXIBLE - .50 NPT, 10 LONG, M-M
15	9784659 ELBOW, 90° UNION, .50NPT, M-F
16	9682000 NIPPLE, PIPE 1/2" NPT X 2" LONG, GALV

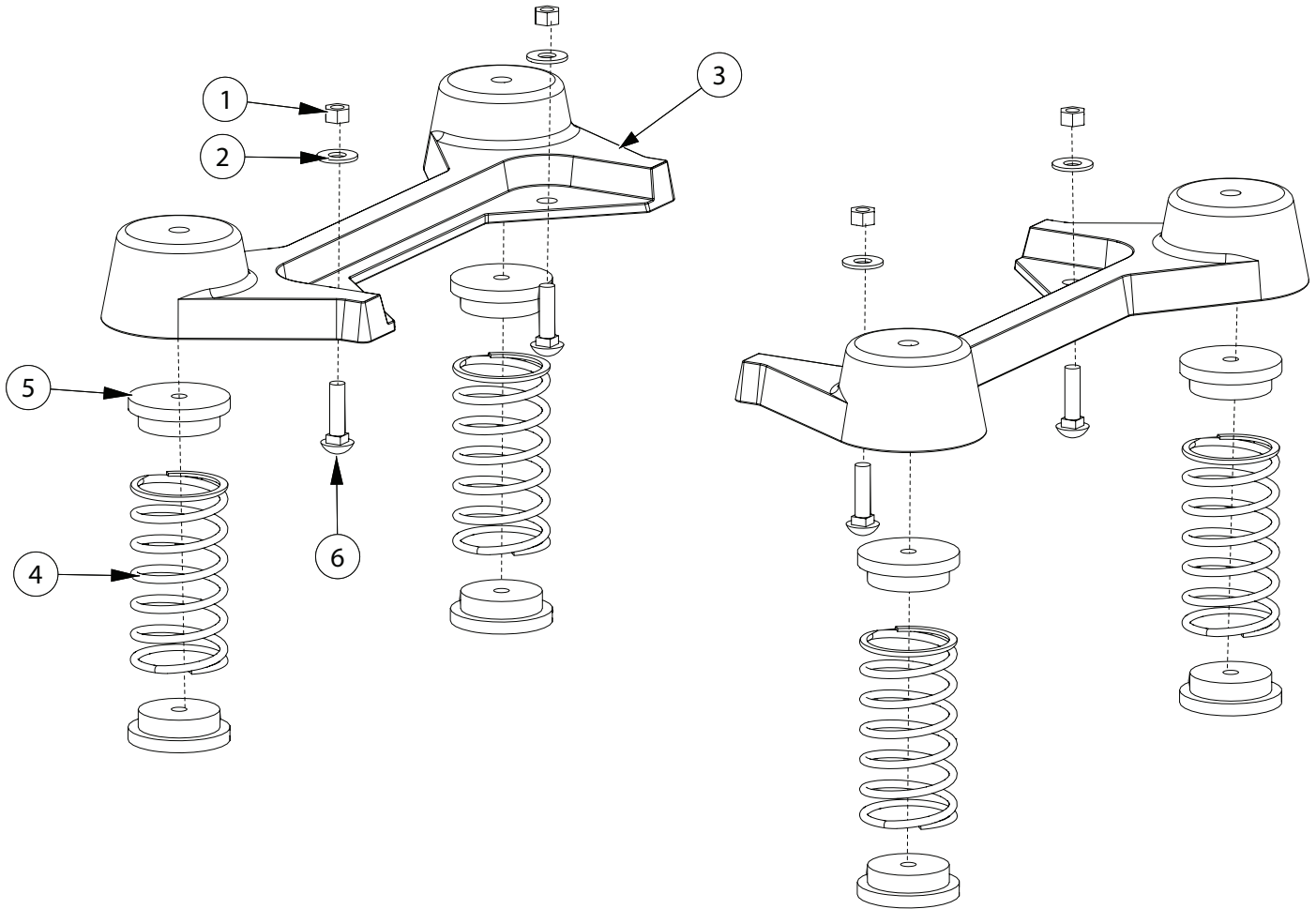
ID	Description
17	5784065-Switch, Limit Explosion Proof - 20A Rating
18	9785157 MOUNT, LIMIT SWITCH - 1400-X1
19	9785158 ACTUATOR, LIMIT SWITCH - 1400-X1
20	9161100 Washer, Flat 3_8 USS
21	9780144 Screw Hex 3_8-16 x .75
22	9100731 WASHER, FLAT 3_8 X .82 OD
23	9780193 Nut, Nylock 3_8-16
24	9780366 SCREW HEX THD CUT 1_4-20 X .50
25	9781142 Screw, Pan-Head, 10-32 X .50
26	9781824 Screw Hex #8 X 1_4
28	9780617 SCREW HEX 3_8-16 X 2.00
29	9163000 WASHER, LOCK, INT TOOTH, .375
30	5784615 MOTOR .3HP EXP PROOF
31	9160500 belt, v

**PART NUMBERS LISTED MAY ONLY BE AVAILABLE IN KIT FORM OR AS AN ASSEMBLY**

Exploded Views, Continued..

...Exploded Views, Continued

## 8.10 Counter Base (5153-00)



ID	Description
1	9389500 Nut, Hex 3_8-16
2	9161100 Washer, Flat 3_8 USS
3	9616500 Counter Base
4	9190400 Spring

ID	Description
5	9190300 Foot, Rubber
6	9190800 CARRIAGE BOLT 3_8-16 X 1.50

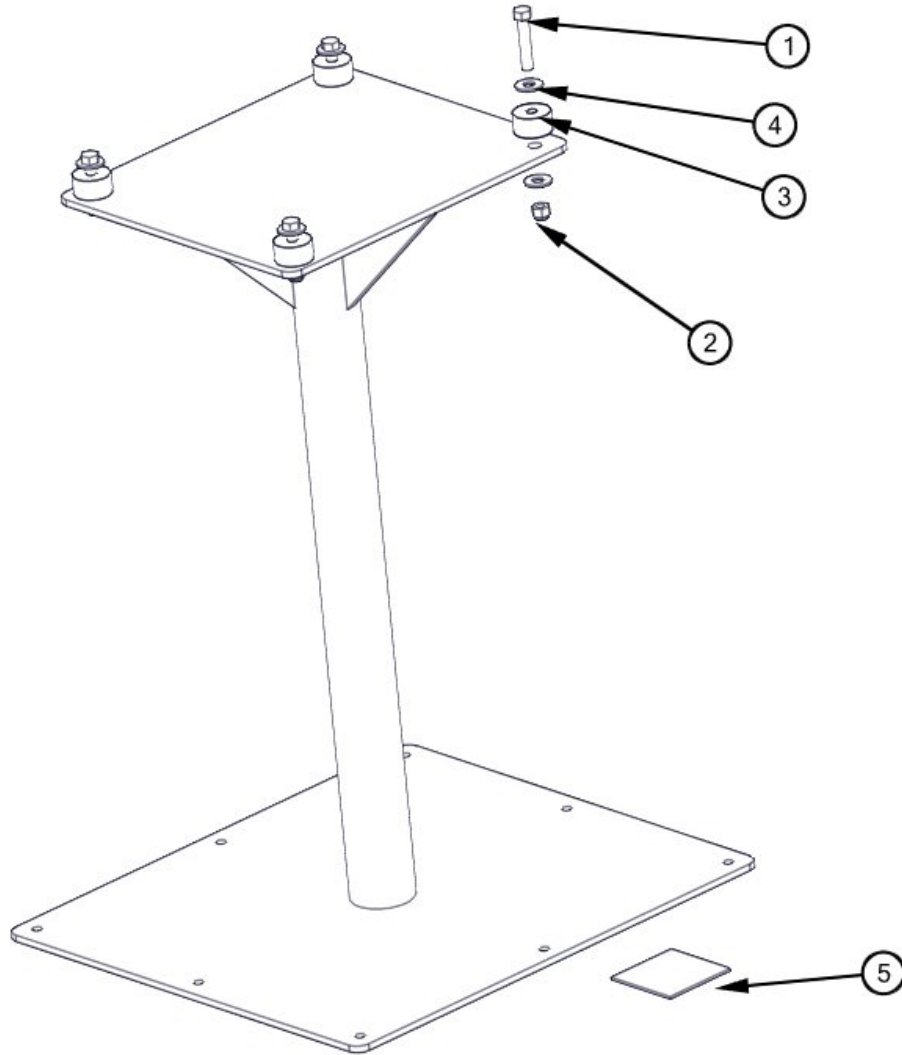
**PART NUMBERS LISTED MAY ONLY BE AVAILABLE IN KIT FORM OR AS AN ASSEMBLY**

Exploded Views, Continued..



...Exploded Views, Continued

## 8.11 Pedestal Base (5152-00)



ID	Description
1	9780617 SCREW HEX 3_8-16 X 2.00
2	9780193 NUT, NYLOCK 3_8-16
3	9327500 Rubber feet

ID	Description
4	9161100 Washer, Flat 3_8 USS
5	6787670 Feet, 3M VHB Kit (4 Pads)

**PART NUMBERS LISTED MAY ONLY BE AVAILABLE IN KIT FORM OR AS AN ASSEMBLY**

Exploded Views, Continued..

## 9. Ordering

### Replacement Parts

#### HOW TO ORDER REPLACEMENT PARTS

Replacement parts can be ordered from Radia by telephone, fax, or email:

#### **RADIA**

800-221-1083

763-533-2969

763-533-0015 (FAX)

orders@radiaproducts.com

If you need help in determining the proper part(s) to order, please call Customer Care at 1-800-221-1083. Always indicate the Model and Serial numbers of the machine when ordering replacement parts.

#### GENERAL PARTS REPLACEMENT POLICIES

While your machine is under warranty, do not attempt on-site repair or parts replacement without first contacting RADIA. (to protect your warranty). After the warranty expires, replacement parts and recommendations for on-site servicing are available from RADIA. Please contact Customer Care for assistance.

#### RESTOCKING FEE

A restocking fee will be charged on all unused parts which are returned.



For instructional "How To" videos please visit:  
[www.radiaproducts.com](http://www.radiaproducts.com)



## 10. Warranty

### Equipment Covered Under This Warranty

Models 1400–A1, 1410–A1, 1400–X1

Radia warrants equipment manufactured by it and bearing its name to be free from defects in material and workmanship.

**EXCEPT FOR THE WARRANTY SET FORTH HEREIN, RADIA MAKES NO WARRANTY WHATSOEVER WITH RESPECT TO THE EQUIPMENT, INCLUDING ANY (a) WARRANTY OF MERCHANTABILITY; (b) WARRANTY OF FITNESS FOR A PARTICULAR PURPOSE; OR (c) WARRANTY AGAINST INFRINGEMENT OF INTELLECTUAL PROPERTY RIGHTS OF A THIRD PARTY; WHETHER EXPRESS OR IMPLIED BY LAW, COURSE OF DEALING, COURSE OF PERFORMANCE, USAGE OF TRADE OR OTHERWISE.**

This warranty applies only when the equipment is installed, operated and maintained in accordance with written Radia instructions as appearing in the owners' manuals.

This warranty does not cover, and Radia shall not be liable for, any malfunction, damage, or wear caused by faulty installation, misapplication, abrasion, corrosion, inadequate or improper maintenance, negligence, accident, tampering or substitution of non-Radia component parts, modification or use for non-intended purposes. Nor shall Radia be liable for malfunction, damage or wear caused by the incompatibility of Radia equipment with structures, accessories, equipment, or materials not supplied by Radia.

Subject to the limitations set forth above, Radia shall (i) repair or replace the equipment (or the defective part) or (ii) credit or refund the price of such equipment. Costs of labor and transportation for service of machines under this warranty will also be covered during the warranty period if Radia elects to repair or replace the equipment. Normal ground freight will be covered for replacement parts sent within the warranty period. For customers outside of the US and Canada, the warranty is for parts only. Ground or common carrier ground freight will be covered for the return of defective items only. In no case shall Radia's liability exceed the amount of the purchase price.

\*All warranty repairs must be executed by a Radia Authorized Service Center or warranty will be voided.

**THE REMEDIES SET FORTH HEREIN ARE PURCHASER'S SOLE AND EXCLUSIVE REMEDY and RADIA'S ENTIRE LIABILITY FOR ANY BREACH OF THE LIMITED WARRANTY SET FORTH HEREIN.**

Please contact your Radia Relationship Manager at 800-221-1083 for specific questions regarding specific questions regarding warranty terms.







For sales or service, please contact

RADIA  
Attn: Customer Service Department  
14900 21st Ave N  
Plymouth, MN 55447  
USA

**U.S. Telephone:** 800.221.1083  
**International Telephone:** 763.533.2969  
**Fax:** 763.533.0015  
**E-mail:** [info@radiaproducts.com](mailto:info@radiaproducts.com)

[www.radiaproducts.com](http://www.radiaproducts.com)



For instructional "How To" videos please visit:  
[www.radiaproducts.com](http://www.radiaproducts.com)

