

Owner's Manual: 5995 Agitar

Multi-Size Mixer

Models 0–5995

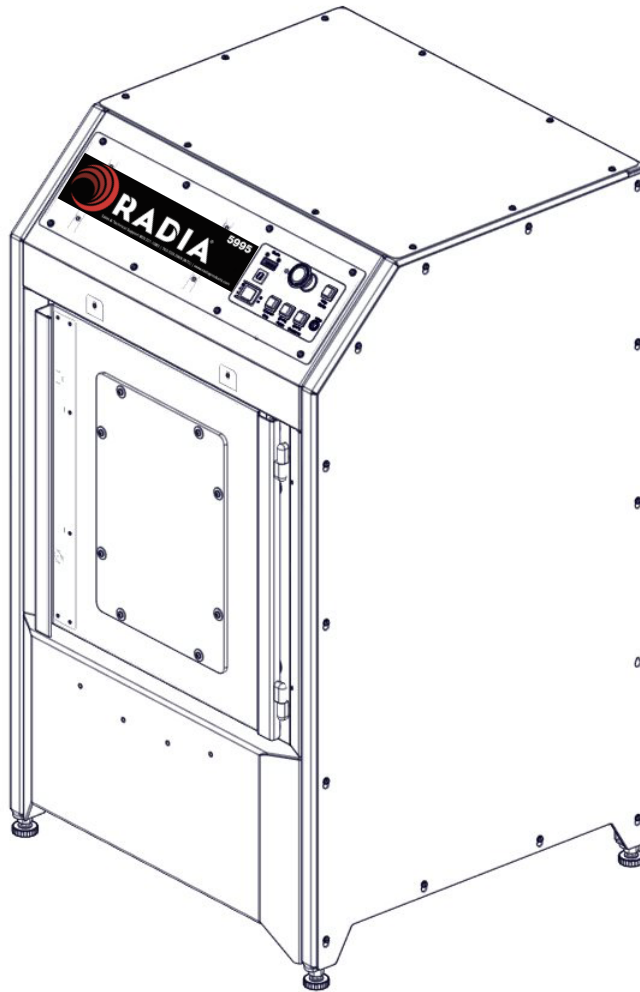





Table of Contents

1. Safety Information	3	7. Trouble Shooting	13
1.1 Safety Precaution Labels	3-4		
1.2 Safety Precaution Summary	5	8. Wiring Diagram	14
2. Introduction	6	8.1 PB and PB-RR Models	14
2.1 Application	6	8.2 PBDL Model	15
2.2 Specifications	6	8.3 E5 and E6 Models	16
3. Unpacking & Install	7	9. Exploded Views	17
3.1 Unpacking	7	9.1 Middle Frame and Main Drive	17
3.2 Prepare for Use	7	9.2 Shroud Assembly	18-19
3.3 Verify the machine is level	7	9.3 Door Lock Assembly	20
4. Operation	8	9.4 Clamp Frames	21-22
4.1 Control Panel	9	9.5 Control Panels	23
4.2 Install a 5 Gallon Pail	10	9.6 DL Electrical Components	24
4.3 Install Small Container(s)	10	9.7 Riser	25
5. Operation	11	10. Ordering	26
5.1 One Gallon Test	11	Replacement Parts	
5.2 E-Stop Test	11	11. Warranty	27
5.3 Five Gallon Test	11		
5.4 Door Lock Override	11		
6. Care and Maintenance	12		
6.1 Cleaning	12		
6.2 Maintenance Schedule	12		

1. Safety Information

Review this owner's manual and read all warning labels on the machine prior to use.

The three main safety notifications used in this manual and on the warning labels are **WARNING**, **CAUTION** and **NOTICE**. They have specific meanings and indicate the potential dangers from misuse of the machine.

	<p>"WARNING!" indicates a hazardous situation, which, if not avoided, could result in death or serious injury. These serious injuries could include permanent loss of function or significant disfigurement, disability, considerable pain and suffering, amputations, severe burns, and loss or impairment of vision or hearing. Take all necessary precautions to avoid unnecessary injury.</p>
	<p>"CAUTION!" indicates a hazardous situation, which, if not avoided, could result in minor or moderate injury.</p>
	<p>"NOTICE" indicates practices that do not involve physical injury but may damage the machine.</p>

1.1 Safety Precaution Labels

IMPORTANT MAINTENANCE ITEMS

WEEKLY:

1) CLEAN BOTTOM PLATE WITH HOT SOAPY WATER TO REMOVE ANY DIRT & PAINT

EVERY SIX MONTHS:

1) LUBRICATE STRUTS (4) WITH MOBIL 634 SYNTHETIC OIL OR 3-IN-1 OIL

2) LUBRICATE CLAMPING SCREWS & NUTS WITH MULTI-PURPOSE SYNTHETIC GREASE (MOBIL 1 UNIVERSAL) GRADE NLGI #2

Part No. 1784612



WARNING
ADVERTENCIA
AVERTISSEMENT

MOVING PARTS INSIDE
PARTES EN MOVIMIENTO
PIE'CES EN MOVEMENT

-Do not open door until machine comes to complete stop; moving parts inside could cause serious injury.

-No abra la puerta hasta que la maquina se detenga completamente, las partes internas en movimiento pueden causar heridas graves.

- Ne pas ouvrir la porte avant que la machine ne s'arrête complètement. Pièces en mouvement à l'intérieur pourraient provoquer des blessures graves.

Part No. 1784963

Safety Information, Continued..

Safety Information, Continued..

1.1 Safety Precaution labels



WARNING
ADVERTENCIA
AVERTISSEMENT

-This machine is not explosion proof rated.
-Review product label, Material safety Data Sheet, and HMIS rating of materials and exposures prior to mixing to determine potential hazards.
-Use in dry and well-ventilated environment where dust and flammable vapors are not present; risk of physical injury exists if used in hazardous environment.
-All containers must be properly sealed and void of leaks.

-Esta máquina no tiene la clasificación de prueba de explosión.
-Revise la etiqueta del producto, la hoja informativa de datos de seguridad, su clasificación HMIS antes de mezclar y exposiciones de materiales peligrosos para determinar los peligros potenciales.
-Use en un ambiente seco y bien ventilado donde polvo y vapores inflamables no estén presentes; Riesgo de daño físico existe si es utilizado en un ambiente peligrosos.
-Todos los contenedores deben estar bien sellados y sin fugas.

-Cette machine n'est pas classé antidéflagrant.
-Examen e'tiquette du produit, Fiche de données de sécurité, Et matériel HMIS cote et expositions, avant de faire le mélange pour déterminer les risques potentiels.
-Utilisation a'sec et bien aere' environnement ou'la possible et les vapeurs inflammables ne sont pas présents; risque de blessure physique existe si utilise' en environnement dangereux.
-Tous les conteneurs doivent être correctement scellés pour éviter les fuites.

Part No. 1780899


WARNING
ADVERTENCIA
AVERTISSEMENT

- Machine must be properly grounded before use; improper grounding could cause electric shock and injury.
-Disconnect power cord before servicing, cleaning or removing any cover, and follow lockout/ tagout procedures in owner manual; failure to disconnect power could cause electric shock and injury.
-Review Owners Manual before installing or operating.

- La maquinaria debe ser apoyada correctamente en el suelo antes de usar, el no apoyarla puede causar choque eléctrico y daños.
-Desconecte la energía antes de dar mantenimiento, limpiar o quitar cualquier cubierta, y siga los procedimientos de bloqueo/etiquetado del manual, Fallar en desconectar puede causar choque eléctrico y daños.
- Revise el manual del usuario antes de instalar u operar.

- La machine doit être correctement mise à la terre avant de les utiliser mise à la terre incorrecte peut provoquer un choc électrique et de blessure.
- De'branchez le cordon d'alimentation avant de procéder à l'entretien, le nettoyage ou le retrait des capots: suivez la procédure d'isolation/consignation prévues dans le manuel de l'opérateur; E'chec de de'brancher la source d'alimentation peut provoquer shock and électrique blessures.
-Re'examiner le fonctionnement manuel avant l'installation.

Part No. 1781570

BEFORE RUNNING MACHINE...

1....MAKE SURE THE CONTAINERS BEING MIXED ARE THE SAME HEIGHT
2....POSITION CONTAINERS PROPERLY

AVANT D'EXÉCUTER LA MACHINE...

1....ASSUREZ-VOUS QUE LES CONTENEURS À ÊTRE MIXTES SONT À LA MÊME HAUTEUR
2....POSITIONNEZ-VOUS LES CONTENEURS CORRECTEMENT


WARNING


AVOID PLUGGING MULTIPLE ITEMS INTO POWER OUTLET WHEN USING THIS MACHINE!

EVITEZ DE BRANCHER PLUSIEURS ÉLÉMENTS DANS LA PRISE ÉLECTRIQUE LORSQUE VOUS UTILISEZ CETTE MACHINE!

- FANS
- POWER STRIP OUTLETS
- HAIR DRYERS
- OTHER EQUIPMENT

- VENTILATEURS
- POINTS DE VENTE DE BANDES D'ÉNERGIE
- UN SÈCHE-CHEVEUX
- AUTRE ÉQUIPEMENT






Part No. 1784613

Safety Information, Continued..

Safety Information, Continued..

1.2 Safety Precaution Summary

⚠️ WARNING!

⚠️ **DO NOT** attempt to replace any damaged electrical wire or components. Improper replacement could result in electric shock and serious injury. Only a qualified service representative should attempt to repair or replace any damaged electrical components.

Review this owner's manual before installing or operating.

⚠️ The machine must be properly grounded prior to use. In the case of an electrical short circuit, grounding reduces the risk of electric shock by providing an escape wire for the electric current.

⚠️ The machine's power cord has a grounding wire with an appropriate grounding plug. This plug must be inserted into an electrical outlet that is properly installed and grounded according to all local codes and ordinances.

⚠️ If you must repair or replace the power cord or plug, **DO NOT** connect the grounding wire to either flat-blade terminal. The wire with insulation having an outer surface that is green (with or without yellow stripes) is the grounding wire.

⚠️ Check with a qualified electrician if you don't completely understand these grounding instructions, or if you are not sure whether the machine is properly grounded. **DO NOT** modify the plug provided; if it won't fit in the outlet, have a proper outlet installed by a qualified electrician.

⚠️ Disconnect the power cord before servicing, cleaning, or removing any covers.

Follow the lockout/tagout procedures of your company.

⚠️ **DO NOT** open the door until the machine comes to a complete stop.

⚠️ To avoid electric shock, don't get the timer, control panel, or wiring wet.

⚠️ This machine is not explosion proof rated. All containers must be properly sealed and void of leaks.

⚠️ Review product label, Material Safety Data Sheet, and HMIS rating of materials prior to mixing to determine potential hazards.

110V Units

Machines rated at 110v, 60 Hz are for use on a nominal 120V circuit. These machines have a grounding plug that looks like the one shown.

⚠️ **DO NOT** use solvent-based cleaners or thinners.

⚠️ Use in a dry and well-ventilated environment where dust and flammable vapors are not present.

⚠️ **WARNING:** This product may expose you to chemicals including DEHP, which is known to the State of California to cause cancer. For more information, go to www.P65Warnings.ca.gov

⚠️ CAUTION!

⚠️ Keep the work area free of clutter and electrical cords.

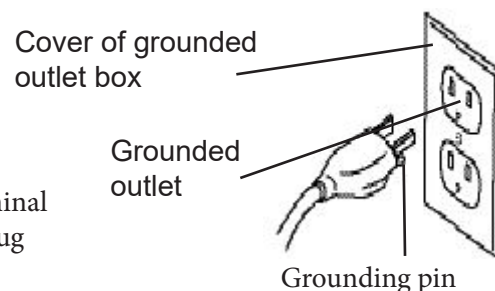
⚠️ Avoid extension cords. To minimize the risk of improper electrical grounding, extension cords are not recommended. If an extension cord is unavoidable, consult a qualified electrician to determine what type of extension cord will satisfy the grounding, current capacity, and other requirements of the particular situation.

⚠️ Use the proper power source. Refer to the machine data plate on the right side panel or section 2.2 specifications, in this manual.

⚠️ Keep customers away from the work area. The machine should be used only by properly trained individuals.

⚠️ Clamp the can carefully to ensure that it is held securely during the mixing cycle.

Product safety labels should be inspected and cleaned periodically to maintain good legibility. Replace any labels that are no longer legible.



2. Introduction

2.1 Application

Congratulations on your purchase of the 05995 Agitar Mixer. This machine is designed to accommodate standard five-gallon plastic or metal pails weighing up to 80 lb. (36.3 kg).

Understand your machine's features and proper operation to take full advantage of its capabilities.

Read this entire manual completely before operating the machine. Practice installing and removing a pail before mixing for the first time.

An optional Riser Leg Kit is available for additional height adjustments. Please see the Ordering section for additional information.

Keep this manual for future reference.

Always follow all safety instructions!

2.2 Specifications

Unit Size: **W** 28 in. (71 cm) **D** 28 in. (71 cm) **H** 46.5 in. (118.11 cm)

Weight: 440 lb. (200 kg)

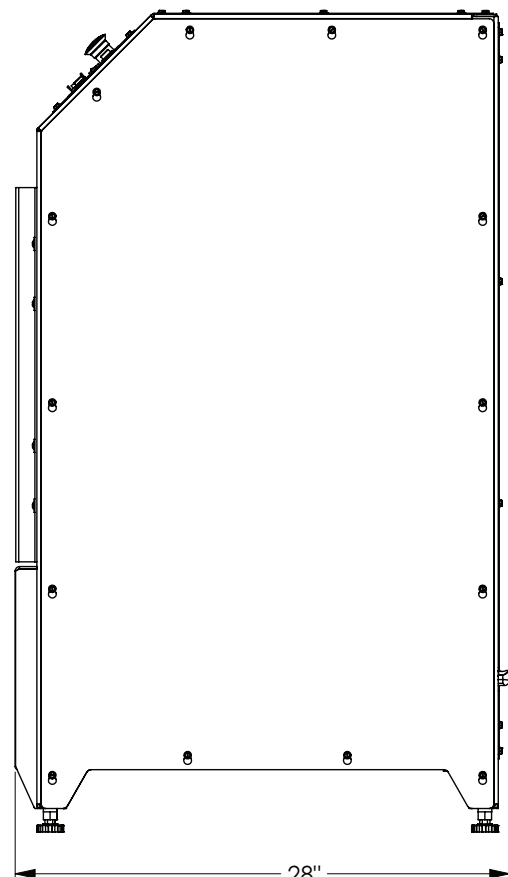
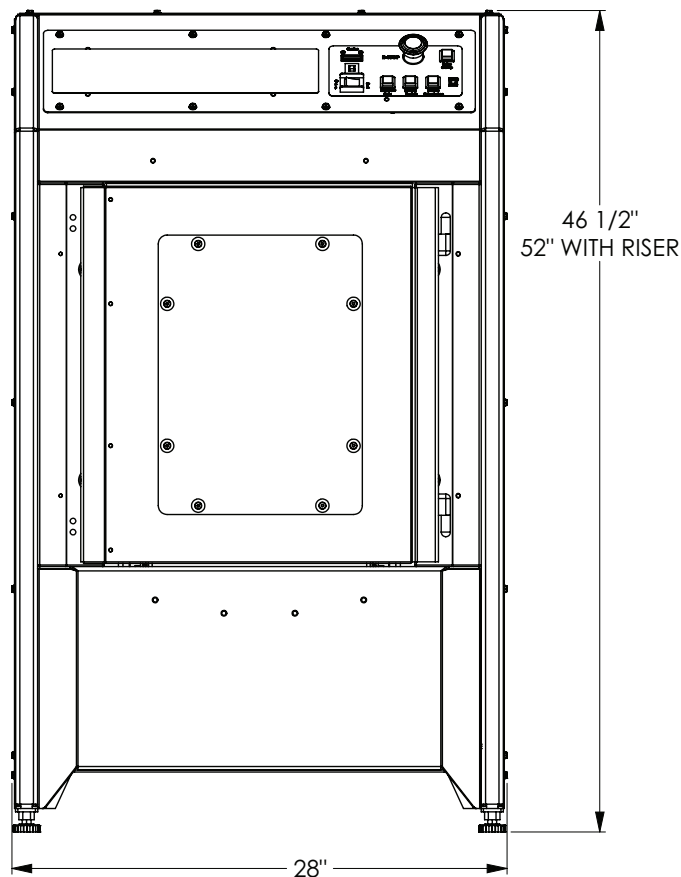
Electric Service:

- **05995-PB, PB-RR:** 110 V 60 Hz-Requires a 20 A dedicated circuit.
- **05995-E5:** 220 V 50 Hz Requires a 10 A dedicated circuit
- **05995-E6:** 220 V 60 Hz Requires a 10 A dedicated circuit

Capacity: 80 lb. (36.3 kg)

Sizes Mixed: 5 gal. (18.9 L), 1 pint (.5 L)

Lift Height: 13 in. (33 cm) to 16 in. (41.7 cm)



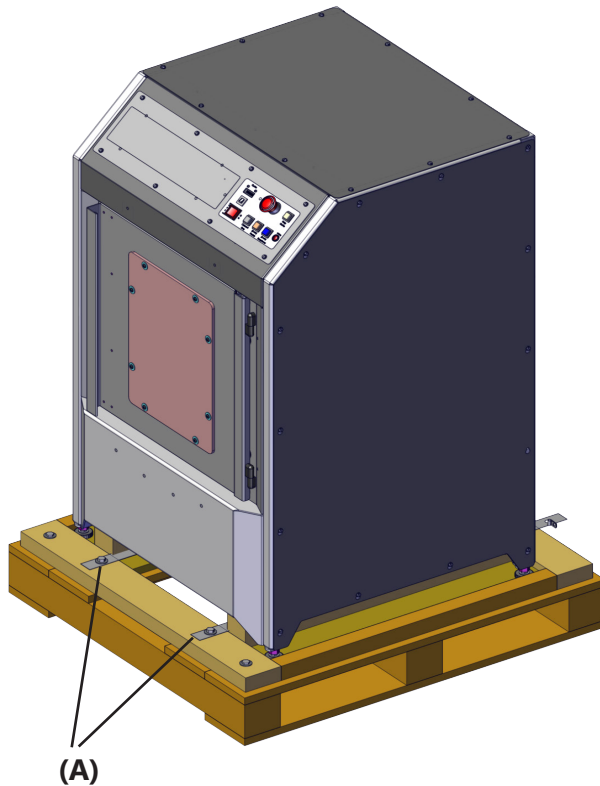
3. Unpacking & Install

3.1 Unpacking

The machine is shipped fully assembled. Remove the carton from the machine.

1. Unbolt the four strap **(A)** using a 9/16 in. socket or wrench.
2. Carefully lift the machine from the pallet.
3. Using a pallet jack or a forklift, gently position the machine on a firm, level surface.

! Do not run the machine on the pallet. Do not run the machine without removing the straps and all other shipping materials. Failure to do so will result in serious damage to the machine and void the warranty.



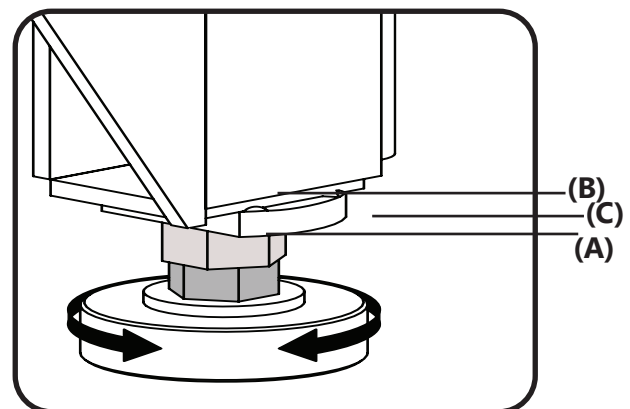
3.2 Prepare for Use

IMPORTANT: Before operating the machine:

1. Follow the electrical connection instructions described in section 1.2 and 2.2
2. Turn the machine on.
3. Push the E-STOP and unplug the machine when the top plate reaches the upmost position.
4. Remove any remaining packing material, including the wood clamping blocks.
5. Verify that the machine is level.

3.3 Verify the Machine is Level

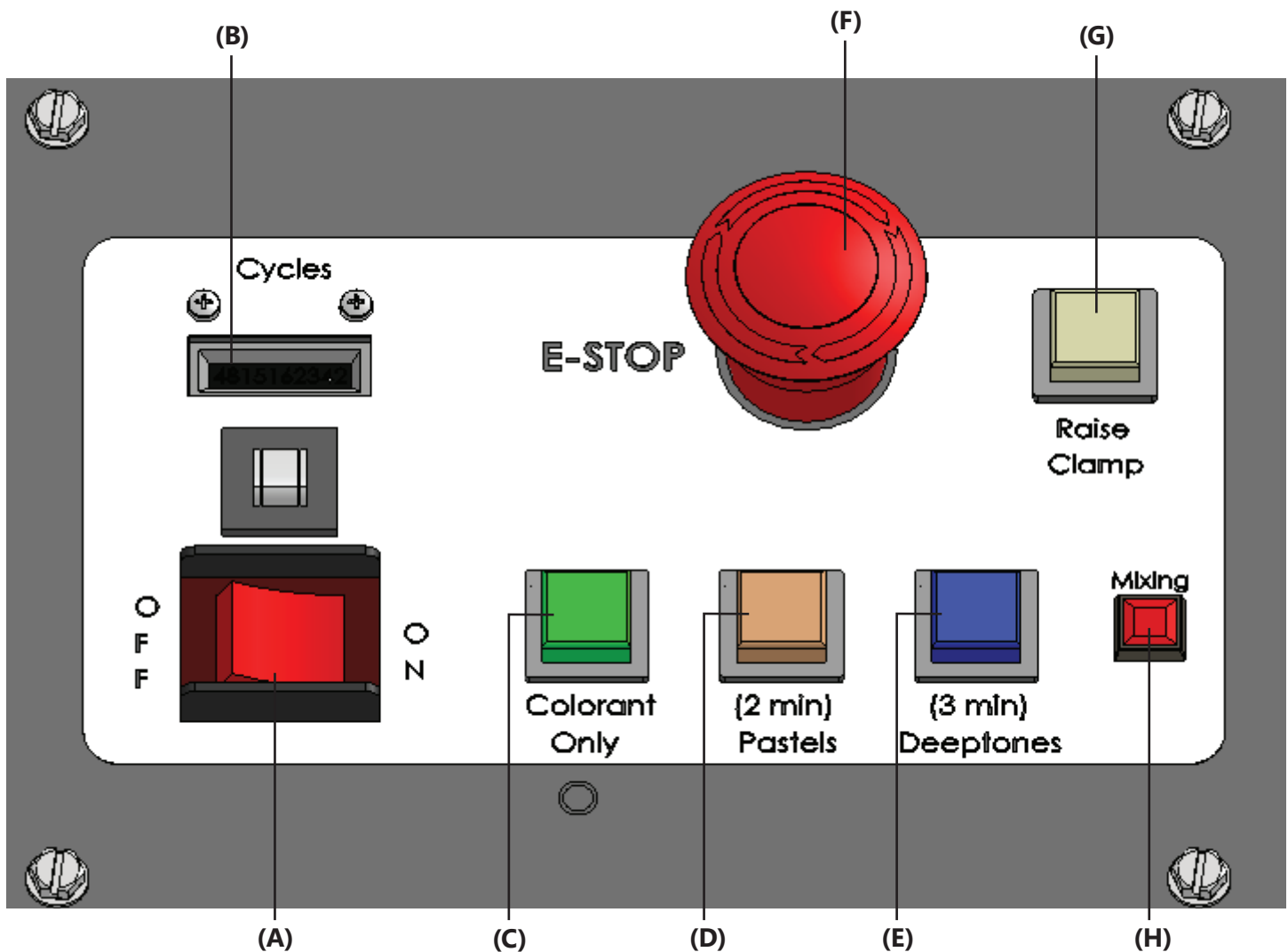
1. Clamp a five-gallon pail in the machine as per the instructions in Section 4.1, Install a Single Pail.
2. Turn the machine on (refer to section 4.3, Run a Mix Cycle).
3. Adjust any feet under which a piece of paper can fit.
 - a. Clamp the foot hex drive **(A)**.
 - b. Loosen the jam nuts **(B)**.
 - c. Turn the foot **(C)** to adjust.
 - d. Tighten the jam nut **(B)** when the foot makes full contact with the floor.
4. Repeat with any additional feet that may still need adjustment.



4. Operation

4.1 Control Panel

- **Power Switch (A):** Switch to turn the power on or off.
- **Cycle Counter (B):** Displays the total number of cycles the machine has performed.
- **Colorant Only (C):** Short cycle of 30 seconds.
- **Two-minute mix cycle (D):** Push to set a two-minute cycle.
- **Three-Minute Cycle (E):** Push to set a three-minute cycle.
- **E-Stop (F):** Only use to immediately cut the power to the machine.
- **Raise Clamp (G):** Press to raise the clamp to the next height level.
- **Mixing (H):** Indicates when a cycle is in progress.



..Operation, Continued

4.2 Install a 5 Gallon Pail

⚠ DO NOT run the machine without a container in place.

⚠ DO NOT mix more than 80 lb. (36.3 kg).

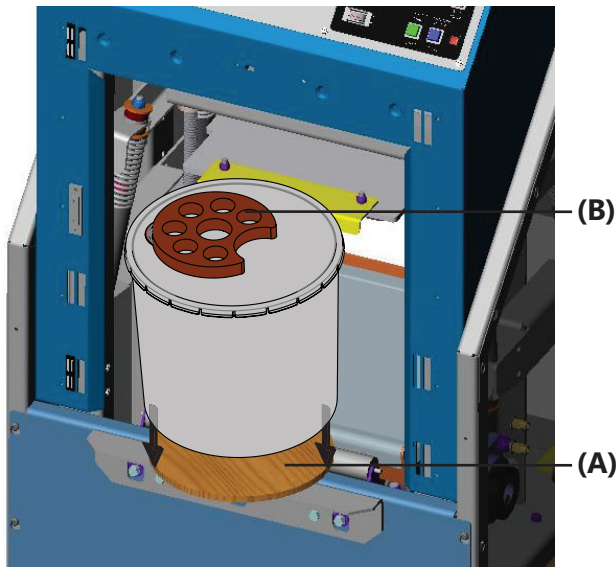
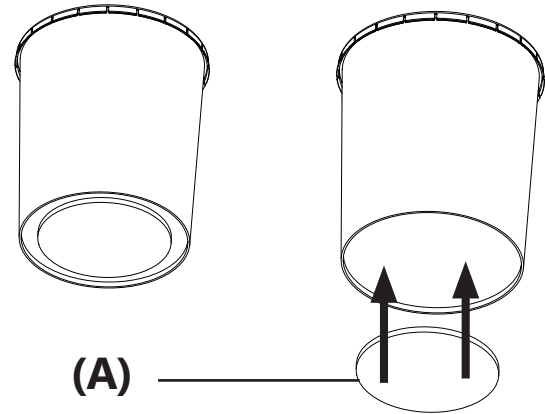
INSTALL A 5 GALLON METAL PAIL:

1. Raise the top plate enough to allow room for a 5 gallon pail.
2. Open the machine door.
3. Position a wooden disk **(A) 6784971** (for metal pails only) on the ledge and place the metal pail over the disk so it fits inside the bottom of the pail.

Place a foam pad **(B) 6784970** at the top of the pail. See below for proper positioning.

4. Slide the pail with the foam pad **(B)** and wooden disk **(A)** onto the lower clamp.
5. Close the cabinet door and start the machine.

⚠ To avoid damage to the pail and machine! Be sure the wooden disk is properly seated in the recess under the pail.



INSTALL A 5 GALLON PLASTIC PAIL:

Follow steps 1 - 4, but do not use the wooden disk **(A)** under the pail.

Type of Pail	Example
Metal Pail—Screw Top Center the foam pad on top of the pail. Be sure the cutout fits near the cap.	
Metal Pail—Snap-In Plug Cover the plug with the foam cover. Be sure the cutout faces the center.	
Plastic Pail—Screw Top Center the foam pad on top of the pail. Be sure the cutout fits snug around the cap.	
Plastic Pail—Snap-In Plug Cover the plug with the foam cover. Be sure the cutout faces the center.	

Operation, Continued..

..Operation, Continued

4.3 Install Small, Containers

! Do not load containers of different heights into the mixer. Shorter containers will come loose during use and damage the shaker and containers.

The machine can mix up to four one-gallon **OR** four one-pint containers at a time. Four four-liter containers will not fit.

1. Arrange the containers as close as possible to each other and in the **center** of the lower clamp plate **(A)**.
2. Close the door and start the machine.



1. Open the cabinet door and load the container(s) as illustrated in either section 4.2, Install a Single Pail, or 4.3, Install multiple containers.
2. Turn the power switch to ON.
3. Be sure the emergency stop button is in the ON position.
4. Press the desired timer button.
5. Verify that the MIXING light comes on while the upper clamp lowers and secures the pail(s). The machine will mix for the amount of time set on the timer.
6. Open the door when the cycle is complete, the MIXING light is off, and the upper clamp raises.
 - i. Stop the cycle early, if desired, by pushing either the E-STOP button, or the RAISE CLAMP button.
 - ii. Press the RAISE CLAMP button once to retract the upper clamp further, or hold it for two seconds to retract the clamp to its home position.
7. Remove the pail(s) of mixed paint.

4.4 Run a Mix Cycle

If there is excessive noise or pail shuffling during the mix cycle, determine if the wood disk or pad should be used with the pail type being mixed.

Because pails can be dimensionally different from each manufacturer, the pad or wooden disk may not be required.

Please make note of what pails require the use of the pad and wood disk along, with those that do not.

Never mix damaged metal cans.

Always inspect each can prior to mixing for any dents along the bottom ridge and side walls. Mixing a container with dents can cause the clamp to release, or crush a container during a mix cycle.

5. Operations and Tests

5.1 One Gallon Test

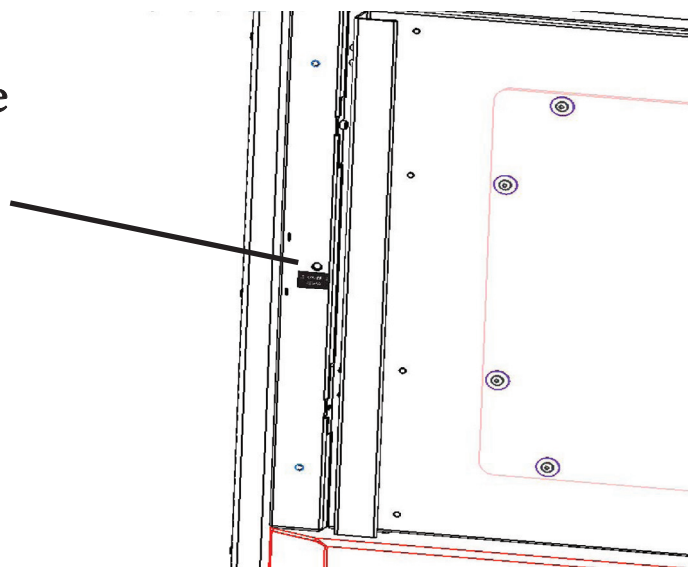
1. Load and position two one-gallon containers as per section 4.3, Install Containers.
2. Release the E-STOP and switch the power to ON.
3. Press the green timer button. The clamp will automatically travel down, clamp on the cans, and begin mixing. The cycles should be smooth. If there is noticeable vibration, press the emergency stop switch and see the troubleshooting section.
4. After the mix cycle ends, the clamp will retract just above the top of the gallon cans.

5.3 Five Gallon Tests

1. Load a five-gallon pail as per section 4.2, Install a Single Pail.
2. Press the green timer button and let the machine run for a full cycle. Again, watch the machine closely for vibration that may indicate an uneven condition.
3. Remove the pail when the cycle ends and the clamp has retracted.

5.4 Manual Door Lock Override

1. Gently insert a small flat head screw driver into latch hole.
2. Lift screw handle to pivot tip down and disengage lock.



5.2 E-STOP Test

1. Load a container per Section 4.2, Install Containers.
2. Press the green, yellow, or blue button to initiate a mixing cycle.
3. After several seconds of mixing, press the E-STOP switch. The machine will stop running. Pull the E-STOP back out. The red mixing light will begin to flash, indicating an interruption in the mix cycle. After a pause, the top plate will unclamp. This function will only work if the emergency stop is activated, or if the power switch is turned off during a mix cycle.
4. Remove container.

6. Care and Maintenance

6.1 Cleaning

⚠ Always unplug the power cord before performing cleaning and Maintenance tasks.

⚠ Do not let paint dry on the upper and lower plate surfaces. Dried paint will diminish the clamping ability of the clamp frame.

CLEANING:

Keeping the machine clean is important for reliable operation.

- Colorant or base paint spilled on machine surfaces can be removed using lukewarm water and mild detergent for water-based/glycol colorants.
- To preserve the appearance of the machine, do not use abrasives to clean machine surfaces.
- Do not let paint dry on the lead screw threads. Wipe wet paint off immediately and re-grease the lead screws.

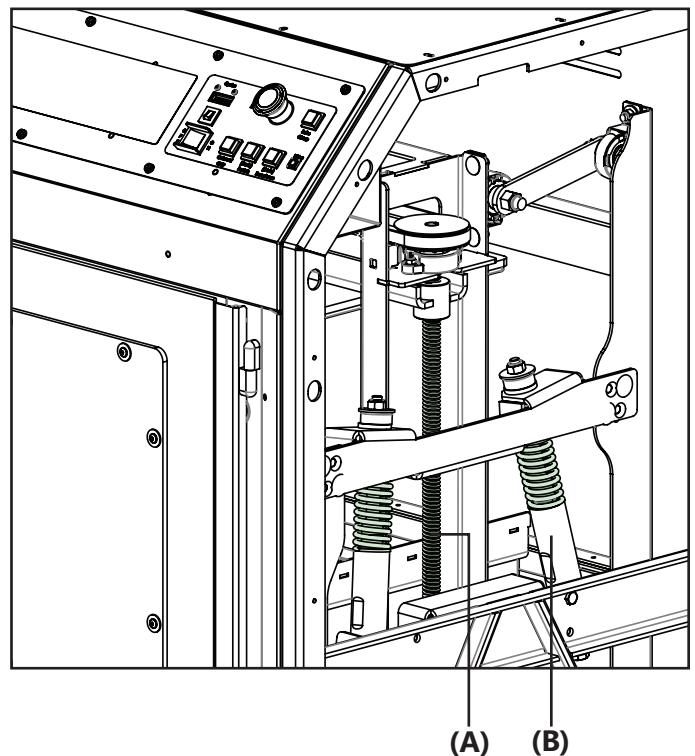
6.2 Maintenance

LUBRICATION:

Lubricate the machine according to the following schedule to ensure optimal performance and extend component life.

Lubrication		
Every 3 Months	Lead Screws (A) (2)	Mobil 1 Synthetic Grease
Every 6 Months	*Struts (B) (4)	Mobil 634 Synthetic Oil

*Apply oil to strut shaft and strut bushing. Rock the inner frame by hand to ensure oil flows into the strut body.

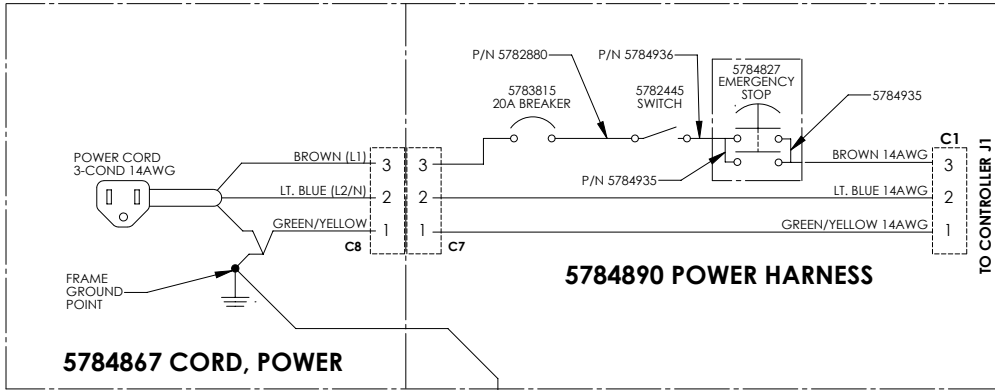


7. Troubleshooting

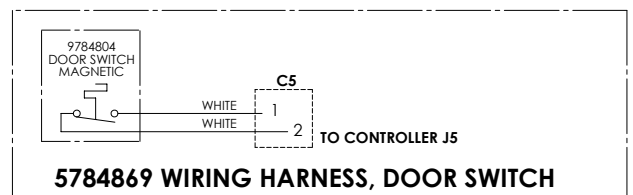
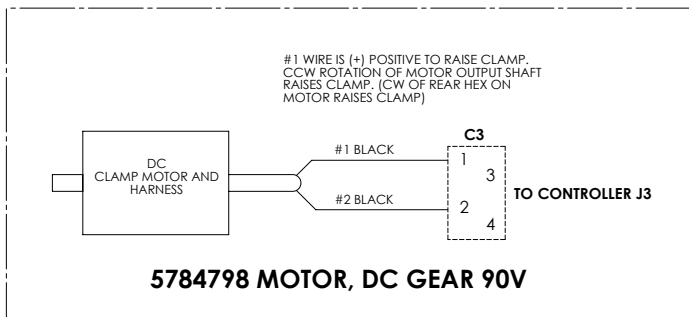
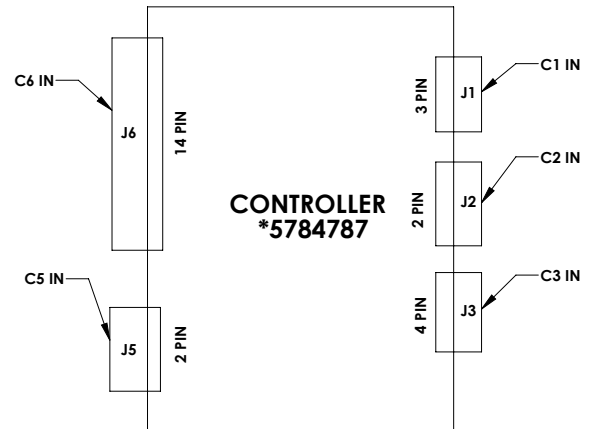
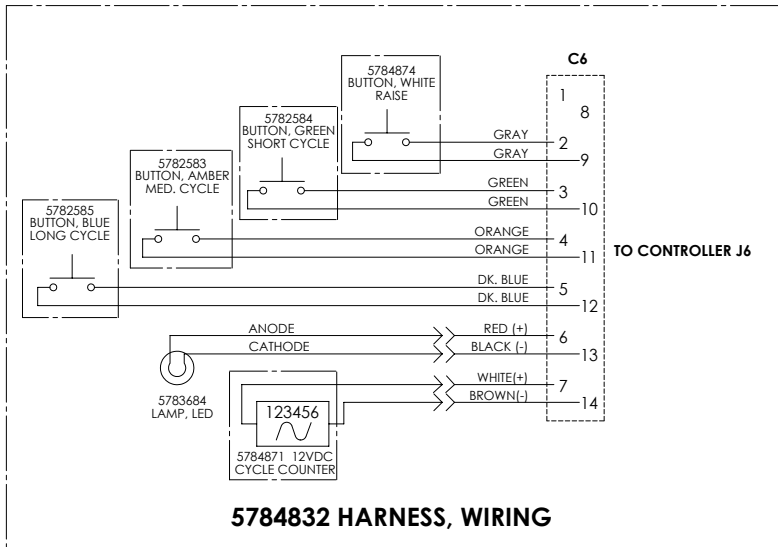
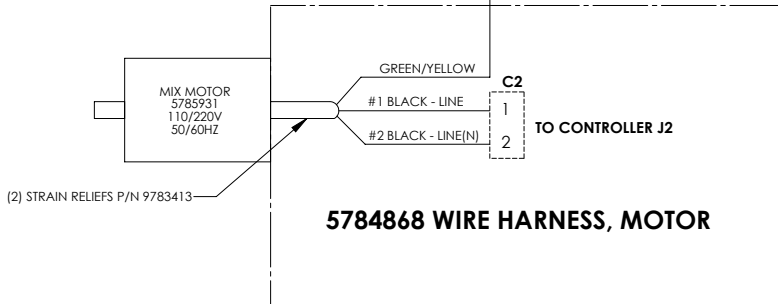
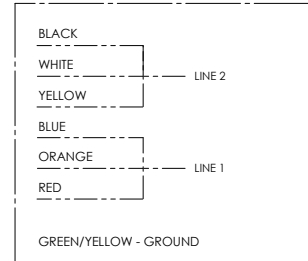
PROBLEM	CAUSE	REMEDY
Machine won't operate	Emergency switch activated	Turn switch knob 1/4-turn clockwise to disengage
	Power switch not on/circuit breaker tripped	Turn the power switch on, or reset the circuit breaker
	Machine door does not activate door switch	Replace the magnetic door switch
	Building circuit breaker or fuse blown	Reset breaker or replace fuse
	Power cord is damaged	The power cord must be replaced by the manufacturer, its service agent or a similarly qualified person in order to avoid a hazard
	Not connected to power source	Plug the cord into an appropriately grounded outlet
Pail moves inside the clamping plates	Top clamp pad worn	Replace pad
	Pail damaged	Replace pail
	Lead screw dirty or fouled	Clean and lubricate lead screw
	Clamp force needs adjustment	Contact Radia Customer Care
Motor hums but mixer won't run	Motor drive belt loose or off	Contact Radia Customer Care
	Faulty motor	
Motor fails to run, skips mix cycle	Low voltage	Plug the machine into a dedicated circuit or one with sufficient voltage
Clamp stuck	Cans loaded improperly or wire connection problem	Reverse DC motor by turning stud or replace or repair the faulty wire
Machine doesn't shut off at the end of a mixing cycle	Faulty controller	Contact Radia Customer Care
Machine doesn't shut off when the door is opened	Faulty magnetic door switch	Contact Radia Customer Care
Increasing mechanical noise	Bearings worn or damaged	Contact Radia Customer Care
	Foreign material under clamp frame	Remove foreign material
Noticeable vibration	Machine is not level	See section 3.3 for leveling instructions

Wiring Diagrams, Continued...

8. Wiring Diagram 8.1 PB and PB-RR Models

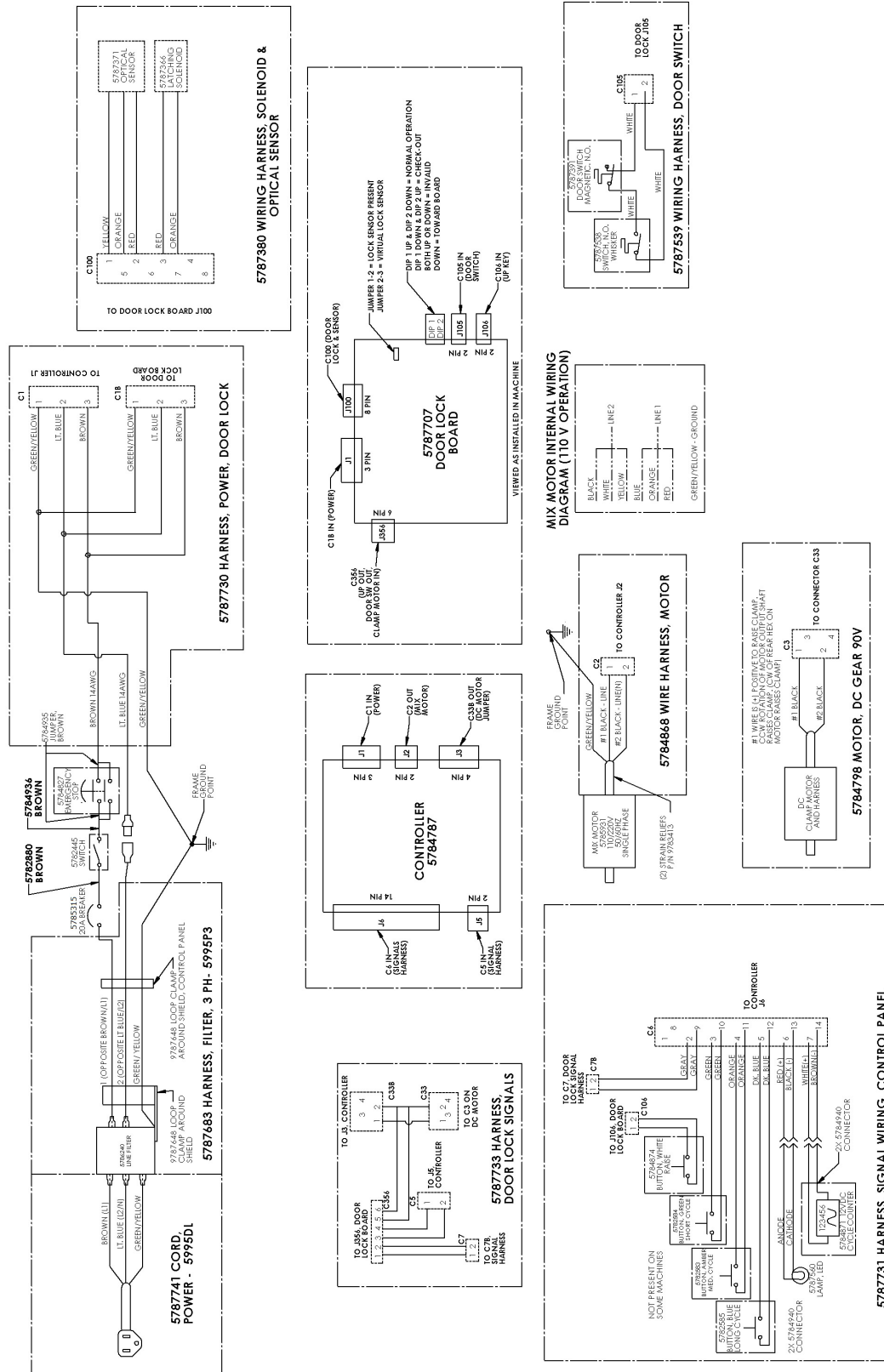


MIX MOTOR INTERNAL WIRING DIAGRAM (110 V OPERATION)



Wiring Diagrams, Continued...

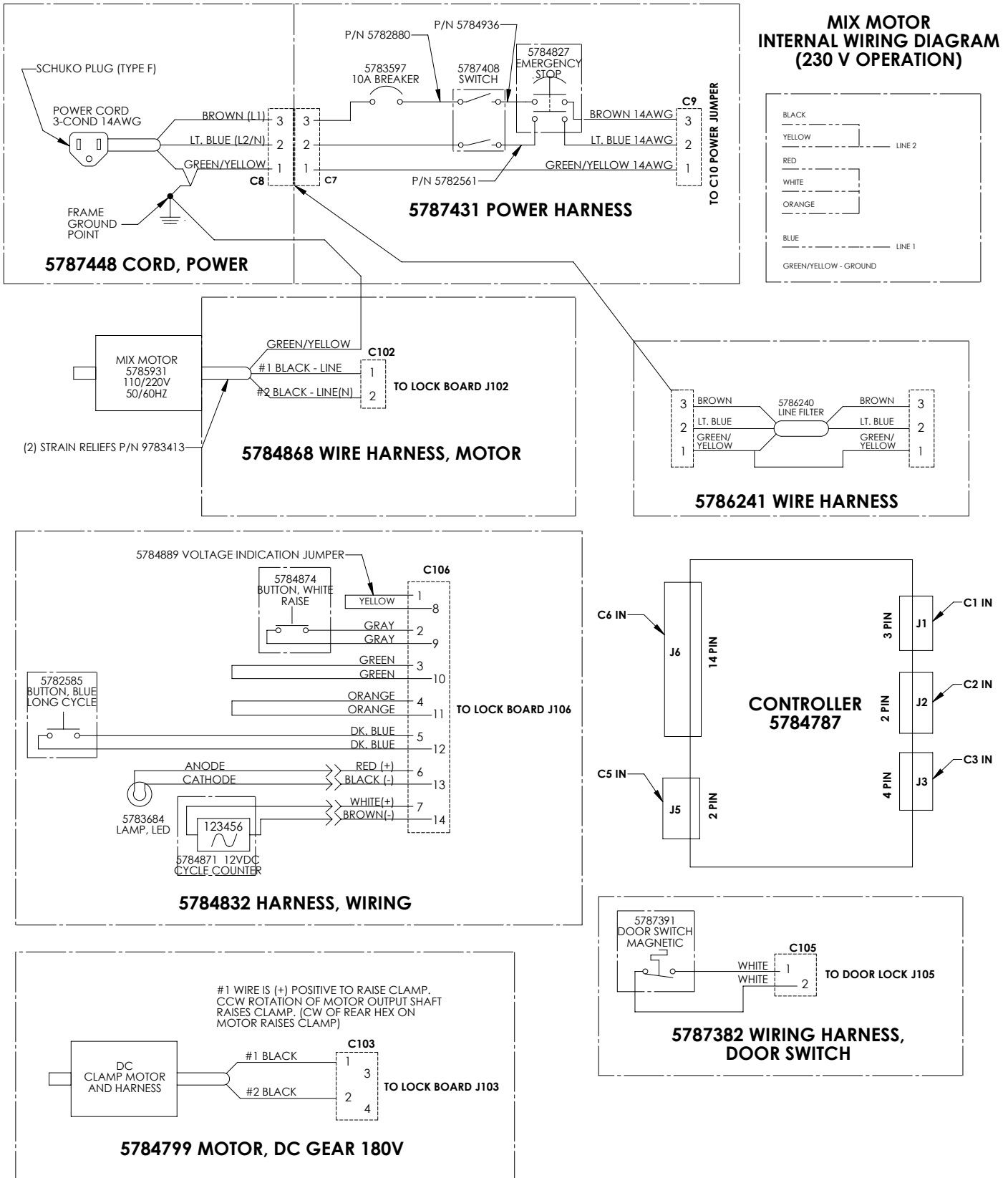
8. Wiring Diagram 8.2 RRD/L Models



Wiring Diagrams, Continued...

...Wiring Diagrams, Continued

8. Wiring Diagram 8.3 E5 and E6 Models

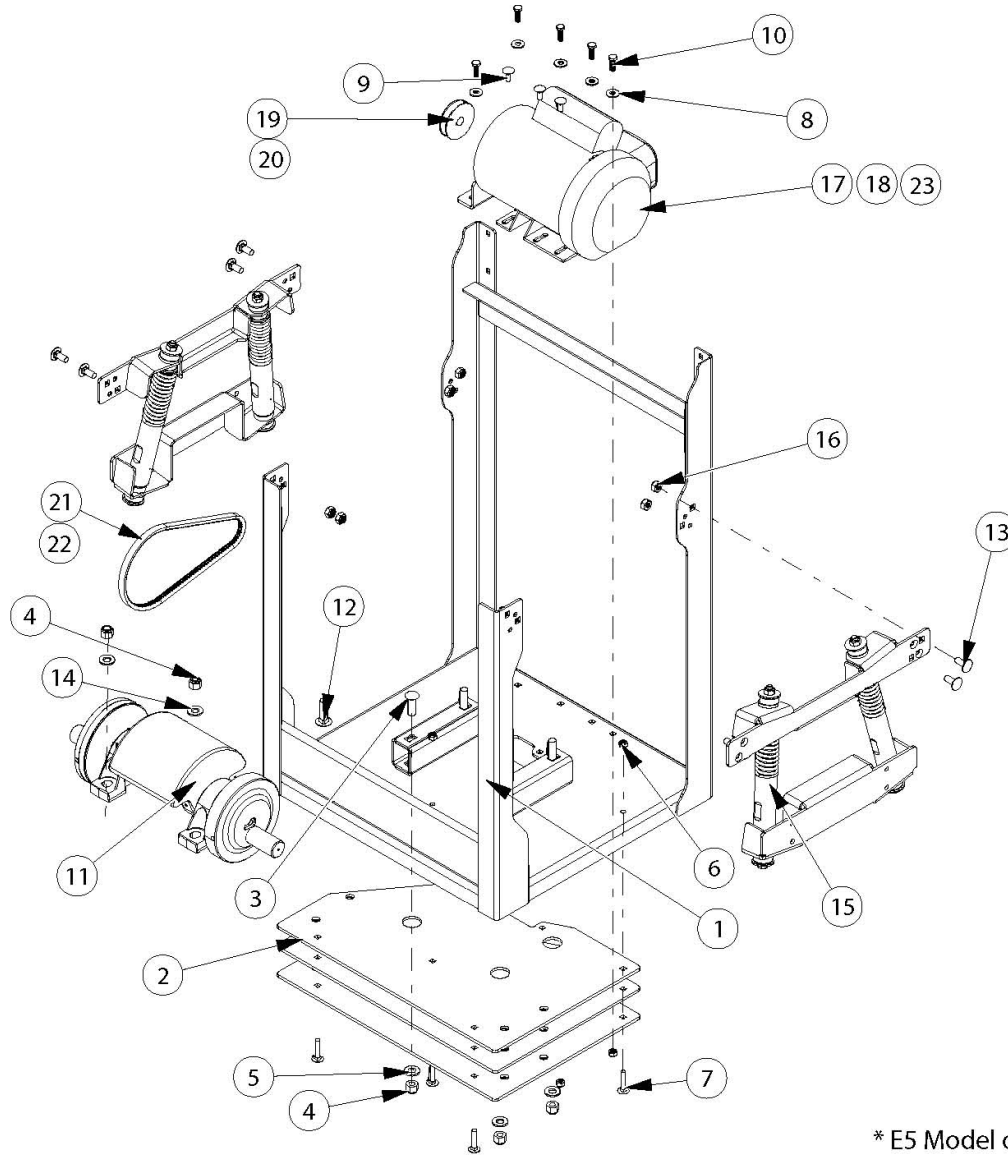


Wiring Diagrams, Continued...

...Exploded Views, Continued

9. Exploded Views

9.1 Middle Frame and Main Drive: Models - **PB, PB-RR, E5, E6, DL**



ID	Description
1	9784759 FRAME WELDMENT, MIDDLE - 3990
2	9783284 WEIGHT, PLATE
3	9783372 SCR, CARRIAGE, 1/2 - 13 X 1.75 GR5
4	9783383 Nut 1_2 Nylon Lock
5	9784746 WASHER, FLAT, 1_2 HARDENED
6	9784843 NUT, M8 X 1.25 NYLON LOCK, CL 8
7	9784852 CARRIAGE BOLT M8 X 1.25 X 40MM
8	9100023 WASHER, FLAT 5_16 USS
9	9784854 CARRIAGE BOLT M8 X 1.25 X 20MM
10	9784853 SCREW, HEX M8 X 1.25 X 25
11	8785119 COUNTERWEIGHT ASSY, HYBRID - 3990

ID	Description
12	9783372 Carriage Bolt 1_2-13 X 1.75
13	9784855 CARRIAGE BOLT M10 X 1.5 X 25MM
14	9784746 WASHER, FLAT, 1_2 HARDENED
15	6784972 STRUT AND MOUNT ASSEMBLY
16	9784835 NUT, M10 X 1.5 NYLON LOCK, CL 8
* 17	6786031 MOTOR, AC, 1 HP 60-50hz, 56CY E5 Model
18	6784964 Motor AC 60hz E6 Model
19	8784155 Pulley, Motor
* 20	9784906 Pulley, Motor, 50 HZ (E5 Model)
21	6784960 V Belt cogged
* 22	9784948 V Belt Cogged, 50 HZ (E5 Model)

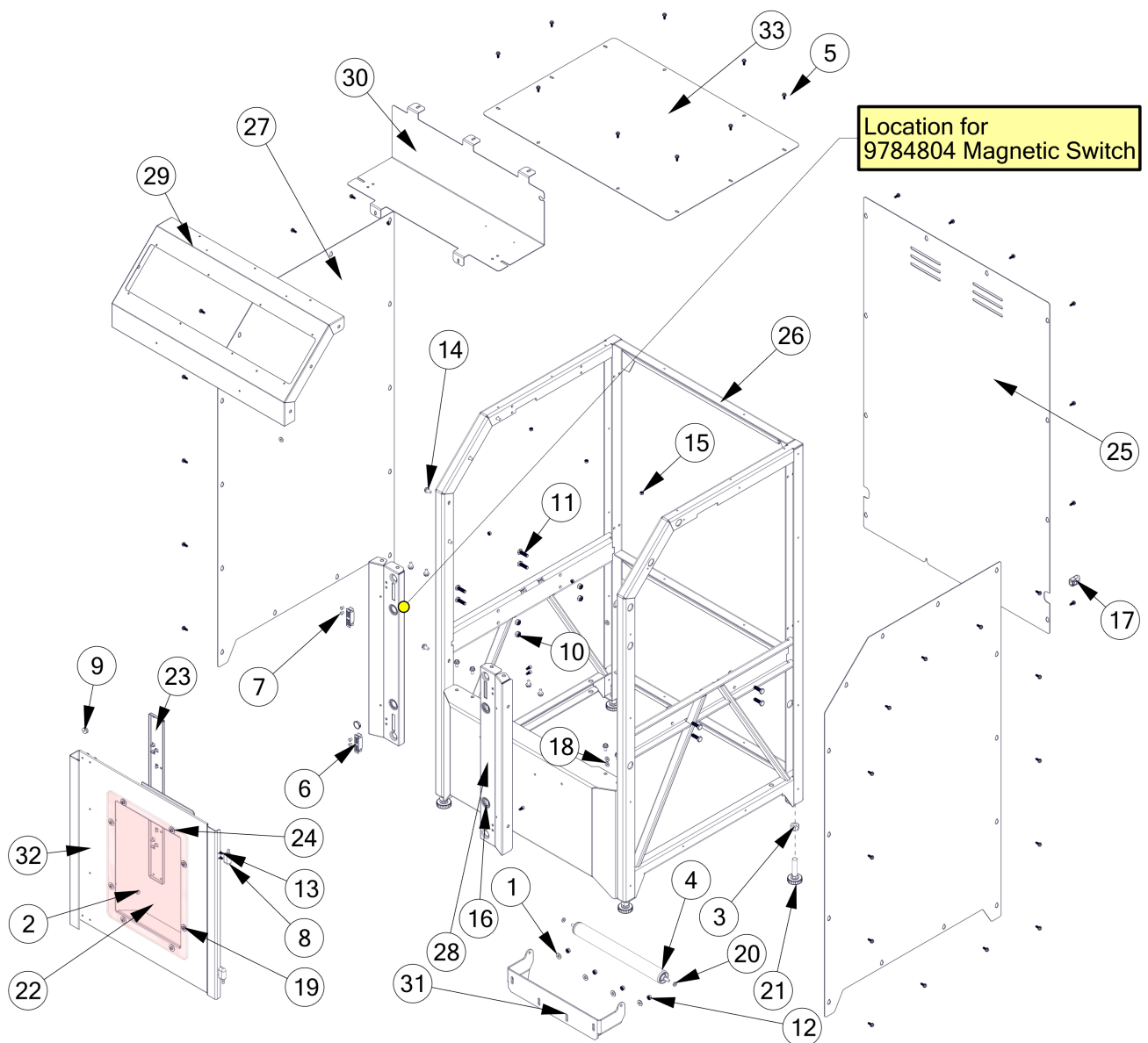
* E5 Model only

PART NUMBERS LISTED MAY ONLY BE AVAILABLE IN KIT FORM OR AS AN ASSEMBLY

Exploded Views, Continued...

...Exploded Views, Continued

9.2 Shroud Assembly (PB, PB-RR, E5, E6)



Location for
9784804 Magnetic Switch

ID	Description
1	9760514 Washer 1.4 SAE .281 ID
2	9781383 NUT, NYLON LOCK #10-32
3	9781711 NUT, 1.2-13
4	9782520 ROLLER
5	9783385 Screw, #10-32 SHWH Tap
6	9783465 Magnet
7	9783672 Plug, .25 Dia Hole
8	9784771 HINGE, DOOR - 3990
9	9784803 MAGNET, SWITCH
10	9784843 NUT, M8 X 1.25 NYLON LOCK, CL 8
11	9784853 SCREW, HEX M8 X 1.25 X 25
12	9784856 NUT, KEPS M6 X 1.0
13	9784857 SCREW, SOCKET HEAD TORX, 10-32 X .38
14	9784859 SCREW, HEX HD, SEMS M6 X 1 X 12
15	9784860 NUT, KEPS M5 X 0.8
16	9784863 PLUG, HOLE, .750 DIA. HEYCO 1693 BLACK
17	9784886 Strain Relief, Power Cord

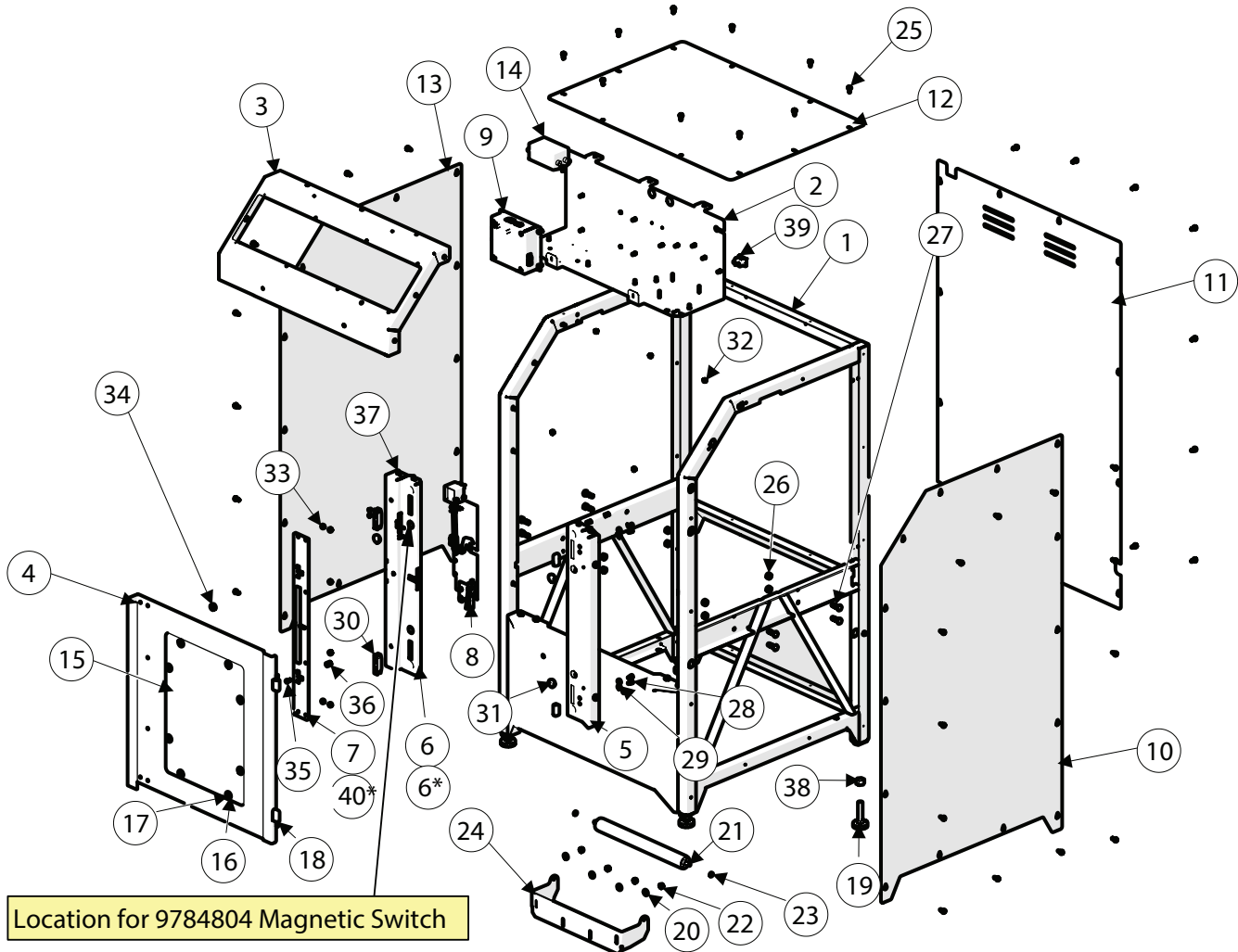
ID	Description
18	9784995 WASHER, .203 ID X .500 OD X .093
19	9785014 SCREW, BUTTON HD CAP #10-32 X .625
20	9785537 WASHER, NEO, .195 ID, .438 OD, .093T
21	9785721 FOOT, GLIDER - 1.2-13
22	9785909 PANEL, DOOR GLASS - 3990
23	9785910 PLATE, STRIKE - 3990
24	9785956 WASHER, FENDER #10 .203 X .750D
25	9787199 PANEL BACK
26	9787200 FRAME WELDMENT, EXTERIOR - 5995
27	9787201 PANEL, SIDE - 5995
28	9787202 PANEL, DOOR MOUNT - 5995
29	9787203 MOUNT, CONTROL PANEL - 5995
30	9787204 GUARD, CONTROLS - 5995
31	9787205 BRACKET, ROLLER - 5995
32	9787206 PANEL, DOOR - 5995
33	9787210 PANEL, TOP - 5995

PART NUMBERS LISTED MAY ONLY BE AVAILABLE IN KIT FORM OR AS AN ASSEMBLY

Exploded Views, Continued...

...Exploded Views, Continued

9.2 Shroud Assembly (DL)



Location for 9784804 Magnetic Switch

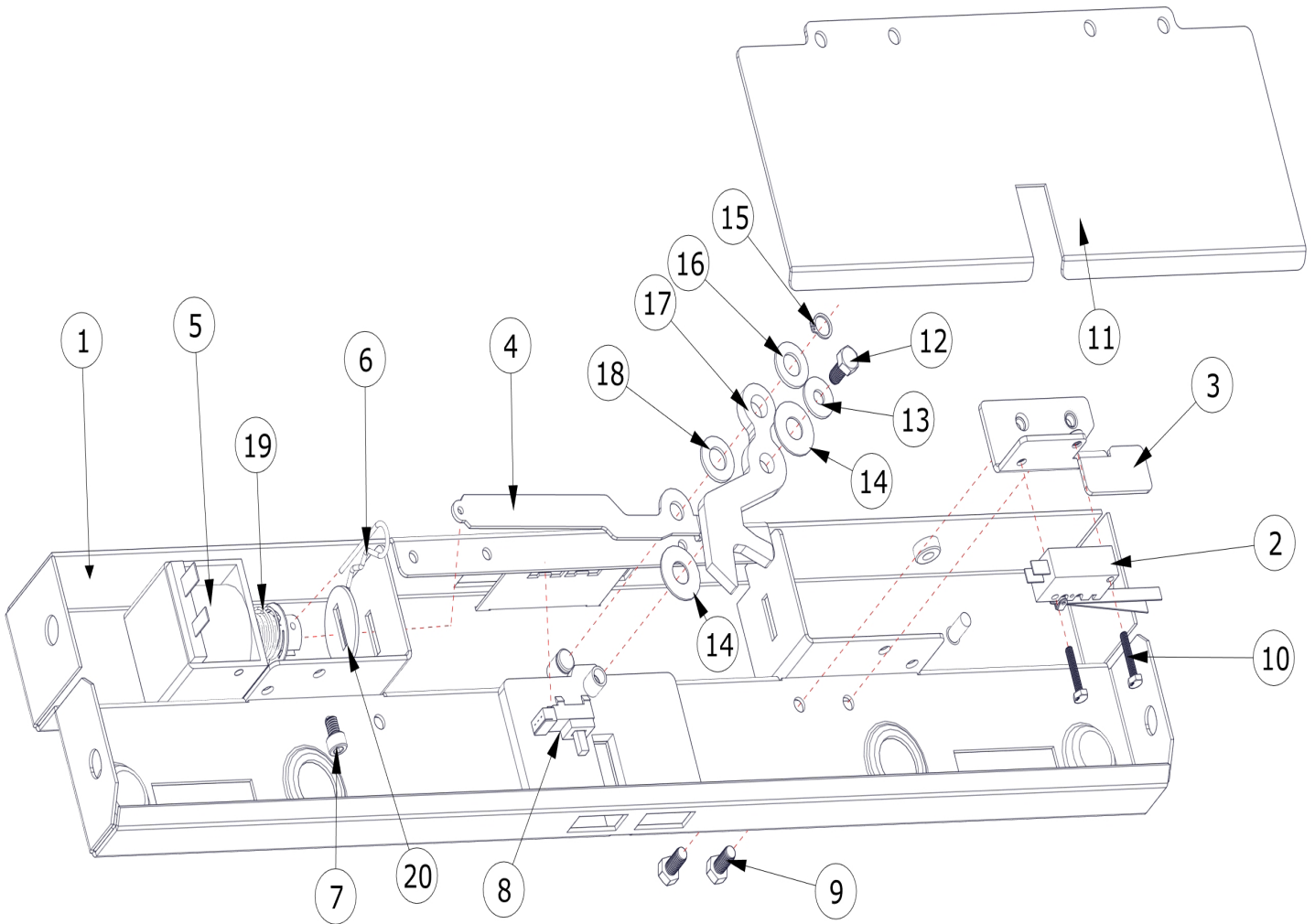
BOM ID	Description
1	9787200 FRAME WELDMENT, EXTERIOR - 5995
2	9787419 GUARD, CONTROLS - 5995E5-CE
3	9787203 MOUNT, CONTROL PANEL - 5995
4	9787206 PANEL, DOOR - 5995
5	9787202 PANEL, DOOR MOUNT - 5995
6	9787409 PANEL, DOOR LOCK - 5995
6*	9787202 PANEL, DOOR MOUNT - 5995 LEFT SIDE P3 ONLY*
7	9787418 PLATE, STRIKE, DOOR LOCK - 5995
8	6787674 ASSY, DOOR LOCK - 5995PBDL
9	9787708 ENCLOSURE, DOOR LOCK BOARD, SMALL - 5995PBDL
10	9787201 PANEL, SIDE - 5995
11	9787199 PANEL BACK
12	9787210 PANEL, TOP - 5995
13	9787201 PANEL, SIDE - 5995
14	5786240 LINE FILTER, 15 AMP, 120-250 V, 50-60 HZ
15	9785909 PANEL, DOOR GLASS - 3990
16	9785956 WASHER, FENDER #10 .203 X .75OD
17	9785014 SCREW, BUTTON HD CAP #10-32 X .625
18	9784771 HINGE, DOOR - 3990
19	9785721 FOOT, GLIDER - 1_2-13
20	9760514 Washer 1_4 SAE .281 ID

BOM ID	Description
21	9782520 ROLLER
22	9784856 NUT, KEPS M6 X 1.0
23	9785537 WASHER, NEO, .195 ID, .438 OD, .093T
24	9787205 BRACKET, ROLLER - 5995
25	9783385 Screw, #10-32 SHWH Tap
26	9784843 NUT, M8 X 1.25 NYLON LOCK, CL 8
27	9784853 SCREW, HEX M8 X 1.25 X 25
28	9784857 SCREW, SOCKET HEAD TORX, 10-32 X .38
29	9784995 WASHER, .203 ID X .500 OD X .093
30	9783465 Magnet
31	9784863 PLUG, HOLE, .750 DIA. HEYCO 1693 BLACK
32	9784860 NUT, KEPS M5 X 0.8
33	9781383 NUT, NYLON LOCK #10-32
34	9784803 MAGNET, SWITCH
35	9787425 SCREW, HEX M5 X 0.8 X 10MM
36	9787425 SCREW, HEX M5 X 0.8 X 10MM
37	9787722 STANDOFF, HEX MMC 95947A727
38	9784859 SCREW, HEX HD, SEMS M6 X 1 X 12
39	5787711 ELECTRICAL INLET, IEC 320-C14
40	9785910 PLATE, STRIKE - 3990 ONLY ON P3 *

Exploded Views, Continued...

...Exploded Views, Continued

9.3 Door Lock Assembly



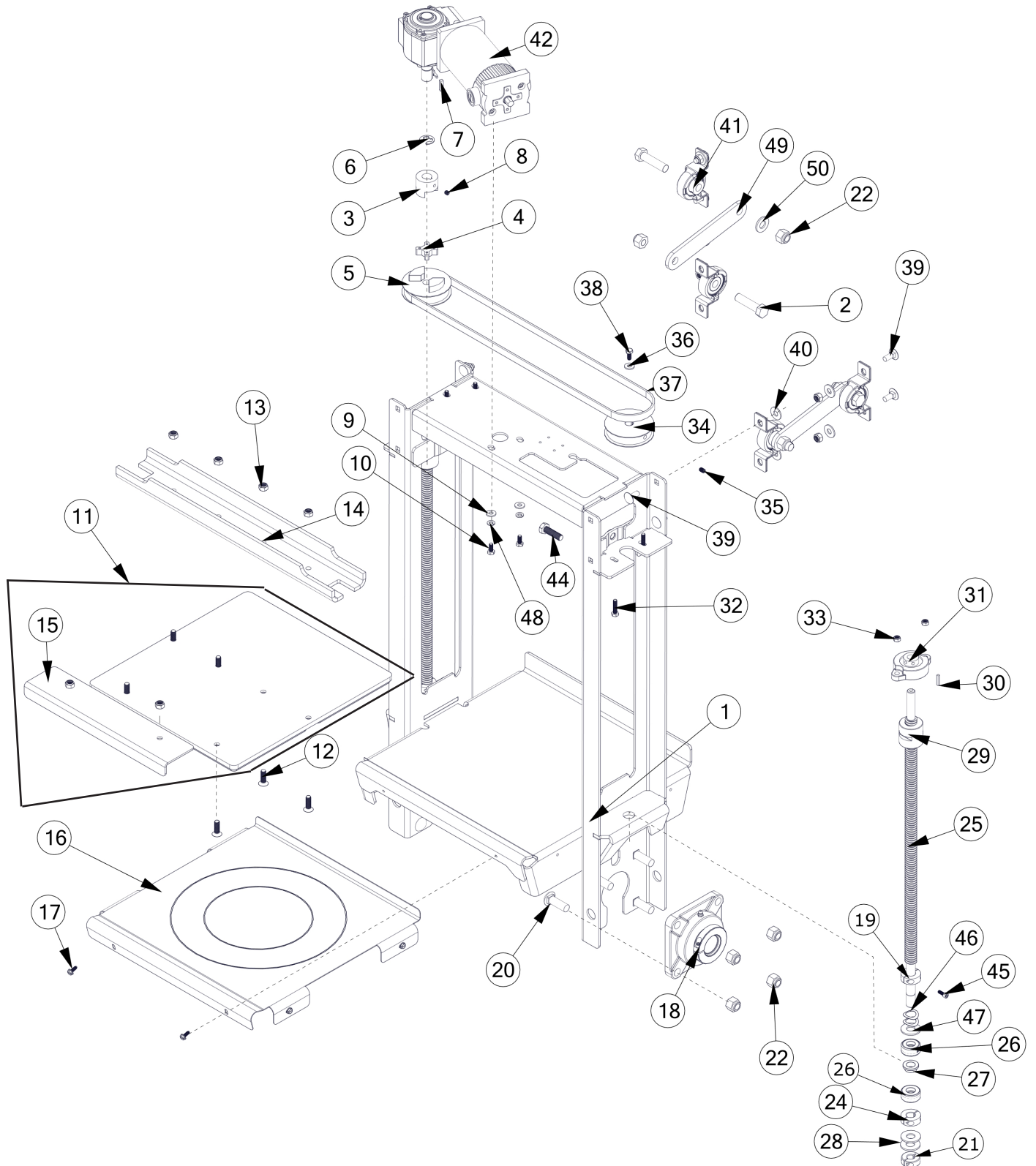
BOM ID	Description
1	9787409 PANEL, DOOR LOCK - 5995
2	5787538 SWITCH, OMRON D2VW_5L1B_3HS
3	9787718 BRACKET, SWITCH
4	9787427 LINK, DOOR LOCK - 5995
5	5787366 SOLENOID, 12VDC, LATCHING, 1.0 STROKE
6	9787720 PIN, COTTER, .25-.50 DIA, MMC 98335A049
7	9787424 SCREW, SOCKET HD CAP, #10-32 X .25
8	5787371 SENSOR, OPTICAL, DOOR LOCK - 5995
9	9787425 SCREW, HEX M5 X 0.8 X 10MM
10	9787742 SCREW HEX M3 X 0.5 X 16
11	9787428 COVER, LOCK

BOM ID	Description
12	9787425 SCREW, HEX M5 X 0.8 X 10MM
13	9780749 Washer, Flat #10
14	9787422 WASHER, FLAT, SS, .318 ID X .750 OD X .026-.034 TH, SEASTROM 5710-577-30
15	9787429 RETAINING RING, EXTERNAL, .312 SHAFT
16	9787423 WASHER, .328 X .625 X .040-.060 THK, 316 SS
17	9787426 HOOK, DOOR LOCK - 5995
18	9787423 WASHER, .328 X .625 X .040-.060 THK, 316 SS
19	9788897 SPRING, COMP, 1.25 L X .593 OD, 1.6 RATE
20	9789510 WASHER, ALUMINUM

Exploded Views, Continued...

...Exploded Views, Continued

9.4 Clamp Frame: Models - (PB, PB-RR, E6)



PART NUMBERS LISTED MAY ONLY BE AVAILABLE IN KIT FORM OR AS AN ASSEMBLY

Exploded Views, Continued...

...Exploded Views, Continued

9.4 Clamp Frame: Part List - (PB, PB-RR, E6)

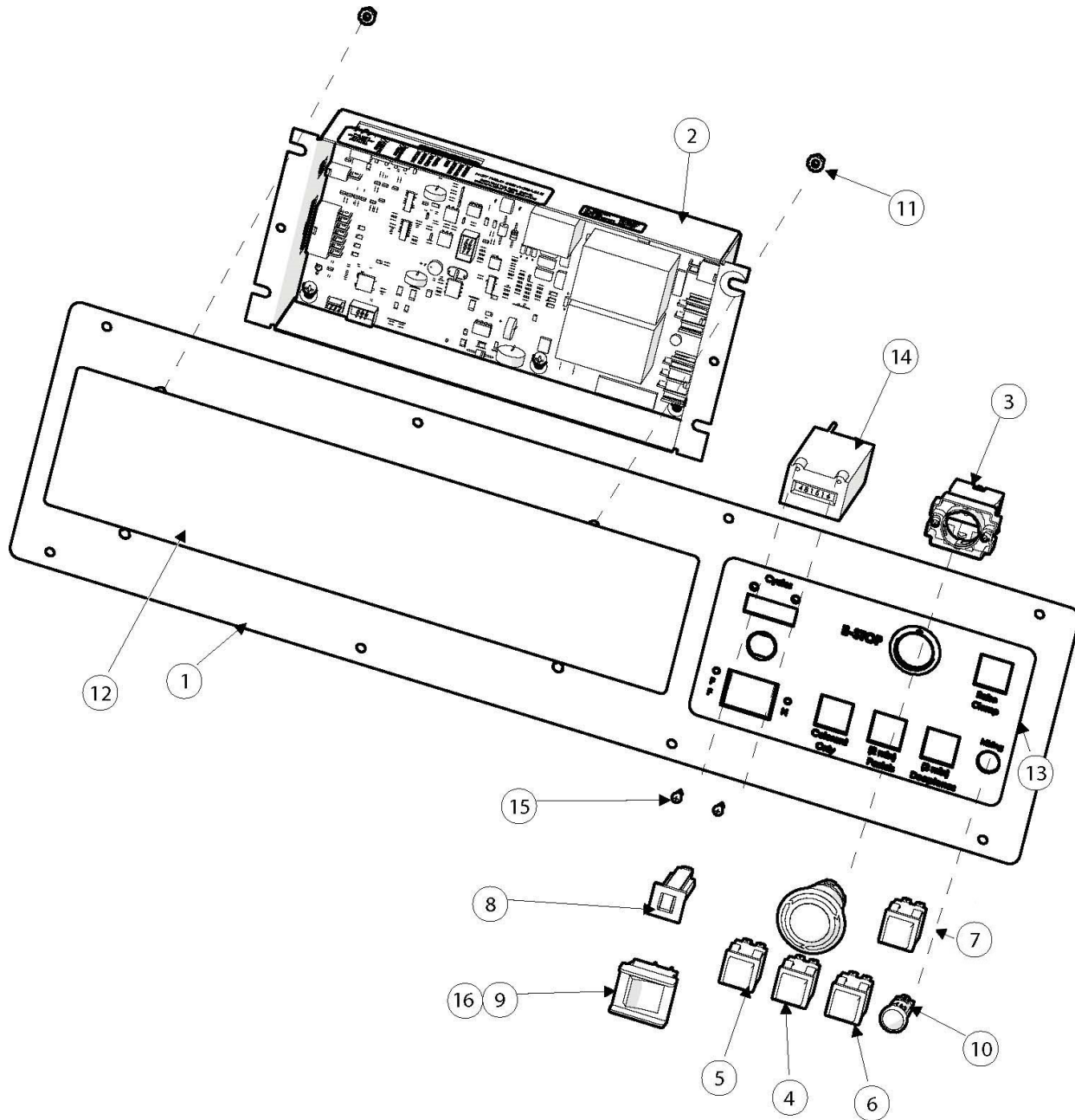
ID	Description
1	9784754 FRAME WELDMENT, CLAMPING - 3990
2	9784839 SCREW HEX 1_2-13 X 2.00
3	9783471 Coupling, 5_8 Dia bore
4	9783549 Spider, Flex Coupling
5	8784872 PULLEY, TIMING 24T - 5990
6	9784959 RETAINING RING, E-STYLE, .625 SHAFT
7	9784334 Key, Square .187 x .750
8	9784848 SCREW, SET, TORX 1_4-20 X .25
9	9760514 Washer 1_4 SAE .281 ID
10	9784941 SCREW, HEX M6 X 1.0 X 14
11	6785358 KIT, TOP PLATE REPL - MS PLATFORM
12	9784842 SCREW, FLAT HEAD TORX M8X1.25 X 25MM
13	9784843 NUT, M8 X 1.25 NYLON LOCK, CL 8
14	9786448 CHANNEL, TOP PLATE
15	9784904 RETAINER, TOP PLATE - 3990
16	9784918 BOTTOM PLATE, STAINLESS - 3990
17	9783385 Screw, #10-32 SHWH Tap
18	9783019 Flange Bearing 1.25
19	9783651 SHAFT COLLAR 9_16
20	9783356 Carriage Bolt, Short Neck 1_2-13 x 1.50
21	9784885 COLLAR, CLAMP, THREADED, M14 X 2
22	9783383 Nut 1_2 Nylon Lock
24	9783651 SHAFT COLLAR 9_16
25	9784757 SCREW, CLAMP - 3990
26	9783653 Thrust Bearing
27	9783654 bronze bearing
28	9784920 WASHER, FLAT .562ID X 1.25OD X .090
29	9783072 Lead Screw Nut
30	9783498 Key, Square .125_.75
31	9784758 BEARING, 2-BOLT FLANGED
32	9784840 SCREW, HEX M6 X 1 X 25
33	9784841 NUT, M6X1 NYLON LOCK
34	9783491 Timing Pulley
35	9784846 SCREW, SET, TORX 1_4-28 X .375
36	9760514 Washer 1_4 SAE .281 ID
37	9783190 BELT, TIMING
38	9784941 SCREW, HEX M6 X 1.0 X 14
39	9784854 CARRIAGE BOLT M8 X 1.25 X 20MM
40	9100023 WASHER, FLAT 5_16 USS
41	9784880 BEARING, PILLOW BLOCK - 3990
42	5784798 MOTOR, DC GEAR, 1_8 HP, HOLLOW BORE - 90V
44	9784847 SCREW, HEX M10X1.5 X 35
45	9784861 SCREW, SOCKET HEAD TORX, 10-32 X 1_2
46	9783659 SPRING DISK
47	9784920 WASHER, FLAT .562ID X 1.25OD X .090
48	9780164 Washer 1_4 LOCK
49	9784882 STRAP, BEARING FOLLOWER - 3990
50	9784746 WASHER, FLAT, 1_2 HARDENED

PART NUMBERS LISTED MAY ONLY BE AVAILABLE IN KIT FORM OR AS AN ASSEMBLY

Exploded Views, Continued...

...Exploded Views, Continued

9.5 Push Button Control Panel: Models - (PB, PB-RR, E6, DL)



(*) P3 Model only

BOM ID	Description
1	9787207 PANEL, CONTROL - AGITAR
2	6785711 5995 Controller Kit
3	5784827 E-STOP SWITCH
4	5782583 PUSH BUTTON, AMBER
5	5782584 PUSH BUTTON, GREEN
6	5782585 PUSH BUTTON, BLUE
7	5784874 PUSH BUTTON, WHITE
8	5785315 Circuit Breaker, 20 Amp, Pop-out

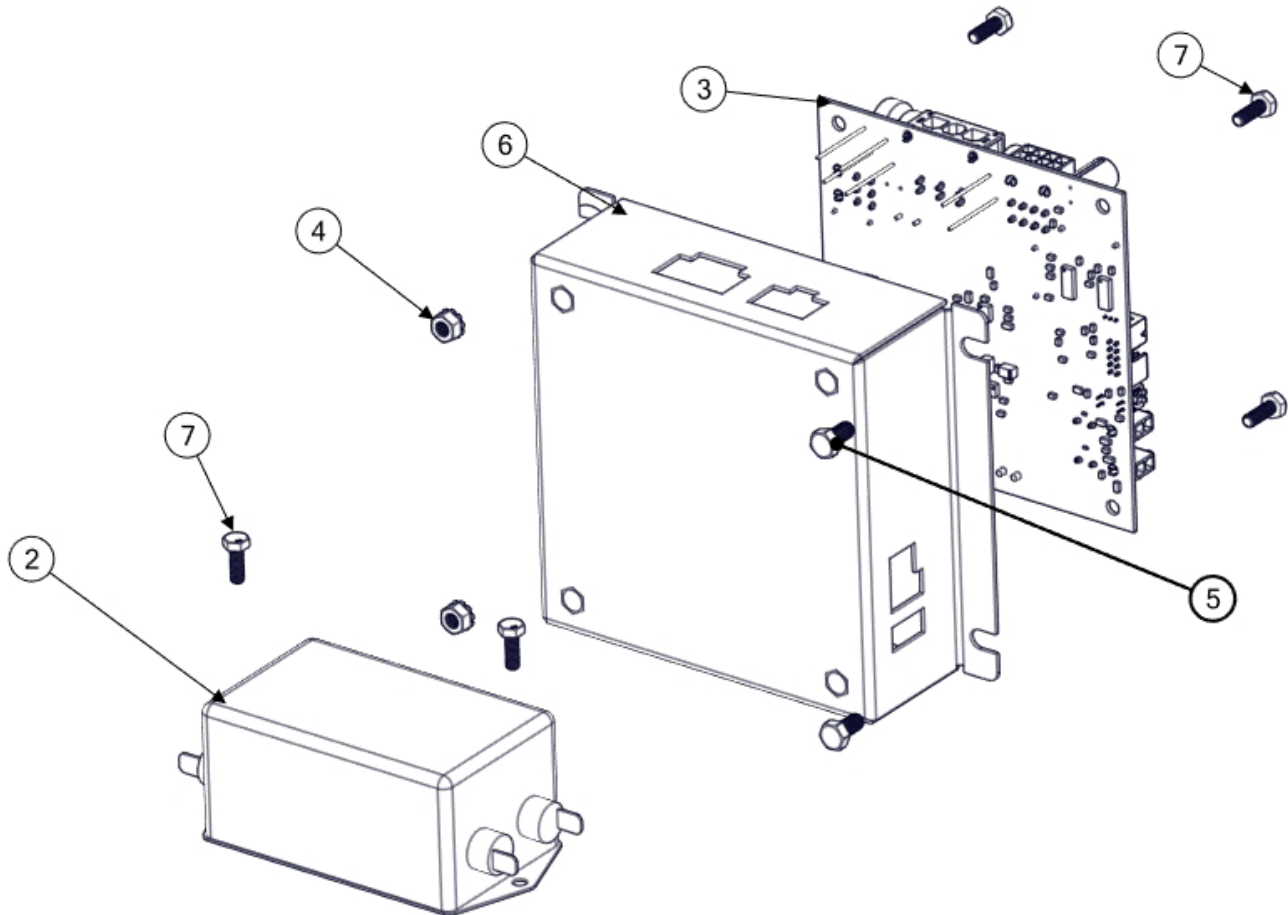
BOM ID	Description
* 9	5787408 POWER SWITCH, DPST, 20 AMP
10	5787560 LED, PANEL MOUNT HIGH BRIGHTNESS RED
11	9784860 NUT, KEPS M5 X 0.8
12	1784879 DECAL - 3990
13	1784876 DECAL, TIMER - AGITAR
14	5784871 COUNTER, 12 VDC
15	9784198 Screw, Pan hd thd forming #4 x .38
16	5782445 POWER SWITCH,

PART NUMBERS LISTED MAY ONLY BE AVAILABLE IN KIT FORM OR AS AN ASSEMBLY

Exploded Views, Continued...

...Exploded Views, Continued

9.6 DL Electrical Components



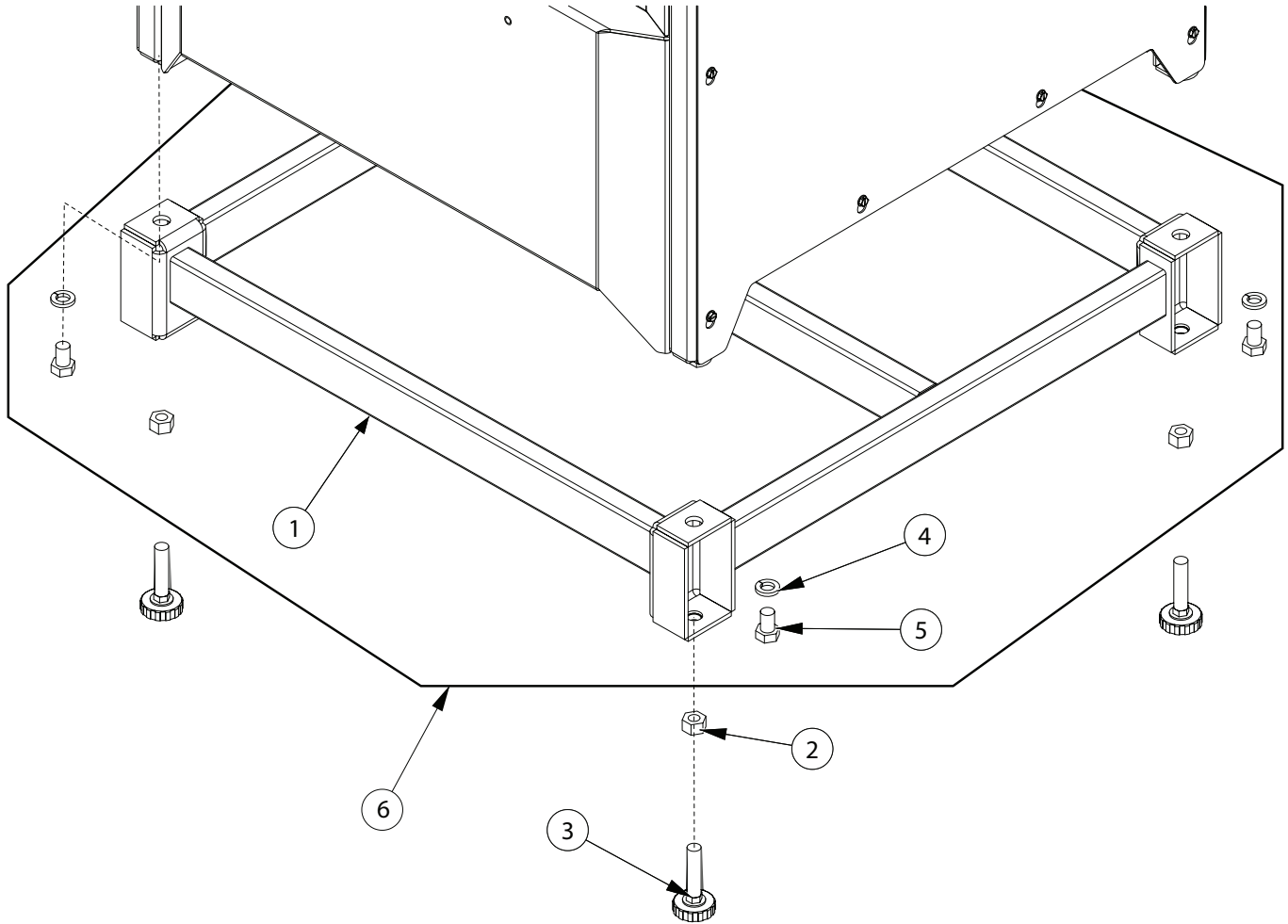
BOM ID	Description
2	5786240 LINE FILTER, 15 AMP, 120-250 V, 50-60 HZ
3	5787707 DOOR LOCK BOARD, SMALL - 5995DL
4	9784860 NUT, KEPS M5 X 0.8
5	9787425 SCREW, HEX M5 X 0.8 X 10MM
6	9787708 ENCLOSURE, DOOR LOCK BOARD, SMALL - 5995PBDL
7	9787740 SCREW HEX M4 X 0.7 X 12

PART NUMBERS LISTED MAY ONLY BE AVAILABLE IN KIT FORM OR AS AN ASSEMBLY

Exploded Views, Continued...

...Exploded Views, Continued

9.7 Riser: Models - PB-RR



ID	Description
1	9787208 Riser Weldment, Roller Rack - 5995
2	9781711 NUT, 1_2-13
3	9785721 FOOT, GLIDER - 1_2-13

ID	Description
4	9780214 Washer 1_2 LOCK
5	9785862 SCREW HEX 1_2-13 X .75 LG
6	6784030 Riser Kit

PART NUMBERS LISTED MAY ONLY BE AVAILABLE IN KIT FORM OR AS AN ASSEMBLY

Exploded Views, Continued...

10. Ordering

Replacement Parts

HOW TO ORDER REPLACEMENT PARTS

Replacement parts can be ordered from Radia Co. by telephone, fax, or email:

RADIA

800-221-1083
763-533-2969
763-533-0015 (FAX)
orders@radiaproducts.com

If you need help in determining the proper part(s) to order, please call Customer Care. at 1-800-221-1083. Always indicate the Model and Serial numbers of the machine when ordering replacement parts.

GENERAL PARTS REPLACEMENT POLICIES

While your machine is under warranty, do not attempt on-site repair or parts replacement without first contacting RADIA. (to protect your warranty). After the warranty expires, replacement parts and recommendations for on-site servicing are available from RADIA. Please Customer Care for assistance.

RESTOCKING FEE

A restocking fee will be charged on all unused parts which are returned.



For instructional "How To" videos please visit:
www.radiaproducts.com



11. Warranty

Equipment Covered Under This Warranty

Models 05995

Warranty

Radia warrants equipment manufactured by it and bearing its name to be free from defects in material and workmanship.

EXCEPT FOR THE WARRANTY SET FORTH HEREIN, RADIA MAKES NO WARRANTY WHATSOEVER WITH RESPECT TO THE EQUIPMENT, INCLUDING ANY (a) WARRANTY OF MERCHANTABILITY; (b) WARRANTY OF FITNESS FOR A PARTICULAR PURPOSE; OR (c) WARRANTY AGAINST INFRINGEMENT OF INTELLECTUAL PROPERTY RIGHTS OF A THIRD PARTY; WHETHER EXPRESS OR IMPLIED BY LAW, COURSE OF DEALING, COURSE OF PERFORMANCE, USAGE OF TRADE OR OTHERWISE.

This warranty applies only when the equipment is installed, operated and maintained in accordance with written Radia instructions as appearing in the owners' manuals.

This warranty does not cover, and Radia shall not be liable for, any malfunction, damage, or wear caused by faulty installation, misapplication, abrasion, corrosion, inadequate or improper maintenance, negligence, accident, tampering or substitution of non-Radia component parts, modification or use for non-intended purposes. Nor shall Radia be liable for malfunction, damage or wear caused by the incompatibility of Radia equipment with structures, accessories, equipment, or materials not supplied by Radia.

Subject to the limitations set forth above, Radia shall (i) repair or replace the equipment (or the defective part) or (ii) credit or refund the price of such equipment. Costs of labor and transportation for service of machines under this warranty will also be covered during the warranty period if Radia elects to repair or replace the equipment. Normal ground freight will be covered for replacement parts sent within the warranty period. For customers outside of the US and Canada, the warranty is for parts only. Ground or common carrier ground freight will be covered for the return of defective items only. In no case shall Radia's liability exceed the amount of the purchase price.

*All warranty repairs must be executed by a Radia Authorized Service Center or warranty will be voided.

THE REMEDIES SET FORTH HEREIN ARE PURCHASER'S SOLE AND EXCLUSIVE REMEDY and RADIA'S ENTIRE LIABILITY FOR ANY BREACH OF THE LIMITED WARRANTY SET FORTH HEREIN.

Please contact your Radia Relationship Manager at 800-221-1083 for specific questions regarding specific questions regarding warranty terms.

For sales or service, please contact

RADIA
Attn: Customer Service Department
14900 21st Ave N
Plymouth, Mn 55447
USA

U.S. Telephone: 800.211.1083
International Telephone: 763.533.2969
Fax: 763.533.0015
E-mail: info@radiaproducts.com

www.radiaproducts.com



For instructional "How To" videos please visit:
www.radiaproducts.com

